

**INSTALLER/CONSUMER  
SAFETY INFORMATION**

**PLEASE READ THIS MANUAL  
BEFORE INSTALLING AND  
USING APPLIANCE**

**WARNING!**  
**IF THE INFORMATION IN THIS  
MANUAL IS NOT FOLLOWED  
EXACTLY, A FIRE OR EXPLOSION  
MAY RESULT CAUSING  
PROPERTY DAMAGE, PERSONAL  
INJURY OR LOSS OF LIFE.**

**FOR YOUR SAFETY**

**Installation and service must  
be performed by a qualified  
installer, service agency or  
the gas supplier.**

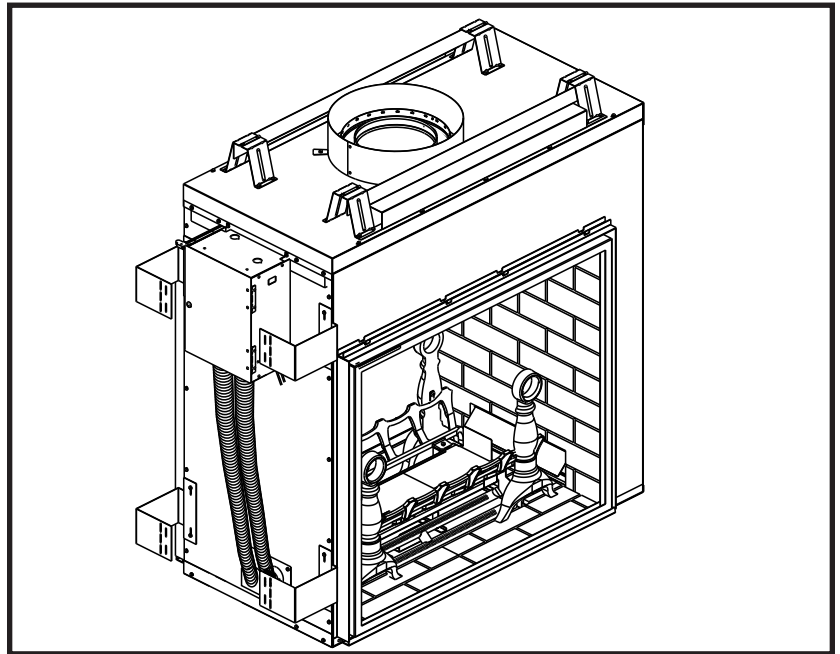
**WHAT TO DO IF YOU SMELL GAS:**

- Do not try to light any appliance.
- Do not touch any electric switch;
- Do not use any phone in your building.
- Immediately call your gas supplier from your neighbor's phone. Follow the gas suppliers instructions.
- If you cannot reach your gas supplier call the fire department.

**DO NOT STORE OR USE  
GASOLINE OR OTHER  
FLAMMABLE VAPORS AND  
LIQUIDS IN THE VICINITY OF  
THIS OR ANY OTHER  
APPLIANCE.**



**Chateau™  
Direct Vent Decorative  
Gas Appliance  
Model: DVT38S2**



**Installation Instructions and  
Homeowner's Manual**



**INSTALLER: Leave this manual with the appliance.  
CONSUMER: Retain this manual for future reference.**

# Table of Contents

Please read the installation & operating instructions before using this appliance.  
 Thank you and congratulations on your purchase of a CFM Corporation fireplace.  
**IMPORTANT:** Read all instructions and warnings carefully before starting installation.  
 Failure to follow these instructions may result in a possible fire hazard and will void the warranty.

## Installation & Operating Instructions

Important Curing/Burning Instructions .....	3
Locating Your Fireplace .....	3
Fireplace Dimensions .....	4
Clearance to Combustibles .....	5
Mantels .....	5
Hearth .....	5
Framing & Finishing.....	6
Final Finishing .....	7
Gas Specifications .....	7
Gas Inlet and Manifold Pressures .....	7
High Elevations.....	7
Gas Line Installation .....	7
Remote ON/OFF Switch.....	8
Electrical Junction Box .....	8
Electronic Gas Control Valve .....	8

## General Venting Information

General Venting.....	9
General Venting Information - Termination Location .....	10
General Information Assembling Vent Pipes .....	11
SK8 Venting Pipes.....	11
Restrictor Plate Guide .....	12
Horizontal Termination.....	12
Vertical Termination .....	12
Sidewall Applications .....	13
Sidewall Installation.....	14
Sidewall Installation with Stationary Glass Facing Outside .....	15
Installing the 38S2VDK Door.....	16
Vertical Through-the-Roof Applications .....	17
Use of Restrictor Plates for Vertical Venting Application .....	17
Vertical Through-the-Roof Installation .....	19
Chimney Components.....	21

## Operating Instructions

Glass Information .....	22
Glass Frame Assembly Removal .....	22
Glass Cleaning .....	22
Restrictor Plate Installation.....	22
Ceramic Refractory Installation .....	23
Log, Lava Rock and Ember Placement.....	23
Flame & Temperature Adjustment .....	26
Flame Characteristics.....	26
Trim Installation .....	27
Lighting and Operating Instructions (Standing Pilot Models).....	28
Lighting and Operating Instructions (Electronic Ignition Models) .....	29
Troubleshooting.....	30
Fuel Conversion .....	32

## Maintenance

Cleaning the Standing Pilot Control System.....	34
Cleaning Electronic Ignition System .....	34
Battery Replacement for Ignitor Module .....	34

## Replacement Parts

.....	35
-------	----

Optional Accessories .....	38
----------------------------	----

Warranty .....	39
----------------	----

# Installation & Operating Instructions

This gas fireplace should be installed by a qualified installer in accordance with local building codes and with current CSA-B149.1 Installation codes for Gas Burning Appliances and Equipment. For USA Installations follow local codes and/or the current National Fuel Gas Code. ANSI Z223.1/NFPA 54.

**In the Commonwealth of Massachusetts, all gas fittings and installation of this appliance shall be done by a licensed gas fitter or licensed plumber.**

FOR SAFE INSTALLATION AND OPERATION PLEASE NOTE THE FOLLOWING:

1. This fireplace gives off high temperatures and should be located out of high traffic areas and away from furniture and draperies.
2. Children and adults should be alerted to the hazards of the high surface temperatures of this fireplace and should stay away to avoid burns or ignition of clothing.
3. **CAUTION: Due to high glass surface temperature children should be carefully supervised when in the same room as fireplace.**
4. Under no circumstances should this fireplace be modified. Parts removed for servicing should be replaced prior to operating this fireplace again.
5. Installation and any repairs to this fireplace must be performed by a qualified installer, service agency or gas supplier. A professional service person should be contacted to inspect the fireplace annually. More frequent cleaning may be required due to excess lint and dust from carpeting, bedding material, etc.
6. Control compartments, burners and air passages in this fireplace should be kept clean and free of dust and lint. Make sure that the gas valve and pilot light are turned off before you attempt to clean this fireplace.
7. The venting system (chimney) of this fireplace should be checked at least once a year and if needed your venting system should be cleaned.
8. Keep the area around your fireplace clear of combustible materials, gasoline and other flammable vapor and liquids. This fireplace should not be used as a drying rack for clothing, nor should Christmas stockings or decorations be hung on or around the fireplace.
9. Under no circumstances should any solid fuels (wood, coal, paper or cardboard etc.) be used in this fireplace.
10. The flow of combustion and ventilation air must not be obstructed in any way.
11. When the fireplace is installed directly on carpeting, vinyl tile or any combustible material other than wood, this fireplace must be installed on a metal or wood panel extending the full width and depth of the fireplace.
12. This fireplace requires adequate ventilation and combustion air to operate properly.
13. This fireplace must not be connected to a chimney flue serving a separate solid fuel burning fireplace.
14. When the fireplace is not in use it is recommended that the gas control valve be left in the "OFF" position.

**NOTE: This appliance uses a fast acting thermocouple and must be replaced with same.**

**Proposition 65 Warning:** Fuels used in gas, woodburning or oil fired appliances, and the products of combustion of such fuels, contain chemicals known to the State of California to cause cancer, birth defects and other reproductive harm. California Health & Safety Code Sec. 25249.6

**WARNING: Check with your electronics manufacturer before installing a television or other electronic device above this fireplace.**

This appliance may be installed in an aftermarket permanently located, manufactured home or mobile home, where not prohibited by local codes. This appliance is only for use with the type of gas indicated on the rating plate. This appliance is not convertible for use with other gases, unless a certified kit is used. The DVT38S2 has been approved for mobile home installations.

## IMPORTANT:

### PLEASE REVIEW THE FOLLOWING CAREFULLY

Remove any plastic from parts before turning the fireplace ON.

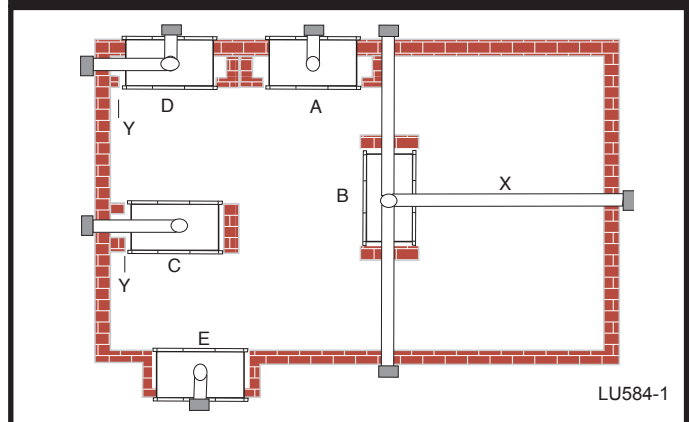
It is normal for fireplaces fabricated of steel to give off some expansion and/or contraction noises during the start up or cool down cycle. Similar noises are found with your furnace heat exchanger or car engine.

It is not unusual for your gas fireplace to give off some odor the first time it is burned. This is due to the curing of the paint and any undetected oil from the manufacturing process.

**Please ensure that your room is well ventilated-open all windows.**

It is recommended that you burn your fireplace for at least ten (10) hours the first time you use it.

## Locating Your Fireplace



**Fig. 1** Locate gas fireplace.

- A) Flat on wall      B) \*\*Island      C) \*Room divider  
D) \*Flat on wall corner      E) Chase installation  
Y) 6" minimum

### Note (Fig. 1):

\*\* Island (C) and Room Divider (D) installation is possible as long as the horizontal portion of the vent system (X) does not exceed 20' (610cm). See details in Venting Section.

\* When you install your fireplace in (D) Room divider or (E) Flat on wall corner positions (Y), a minimum of 6" (152mm) clearance must be maintained from the perpendicular wall and the front side edge of the fireplace.

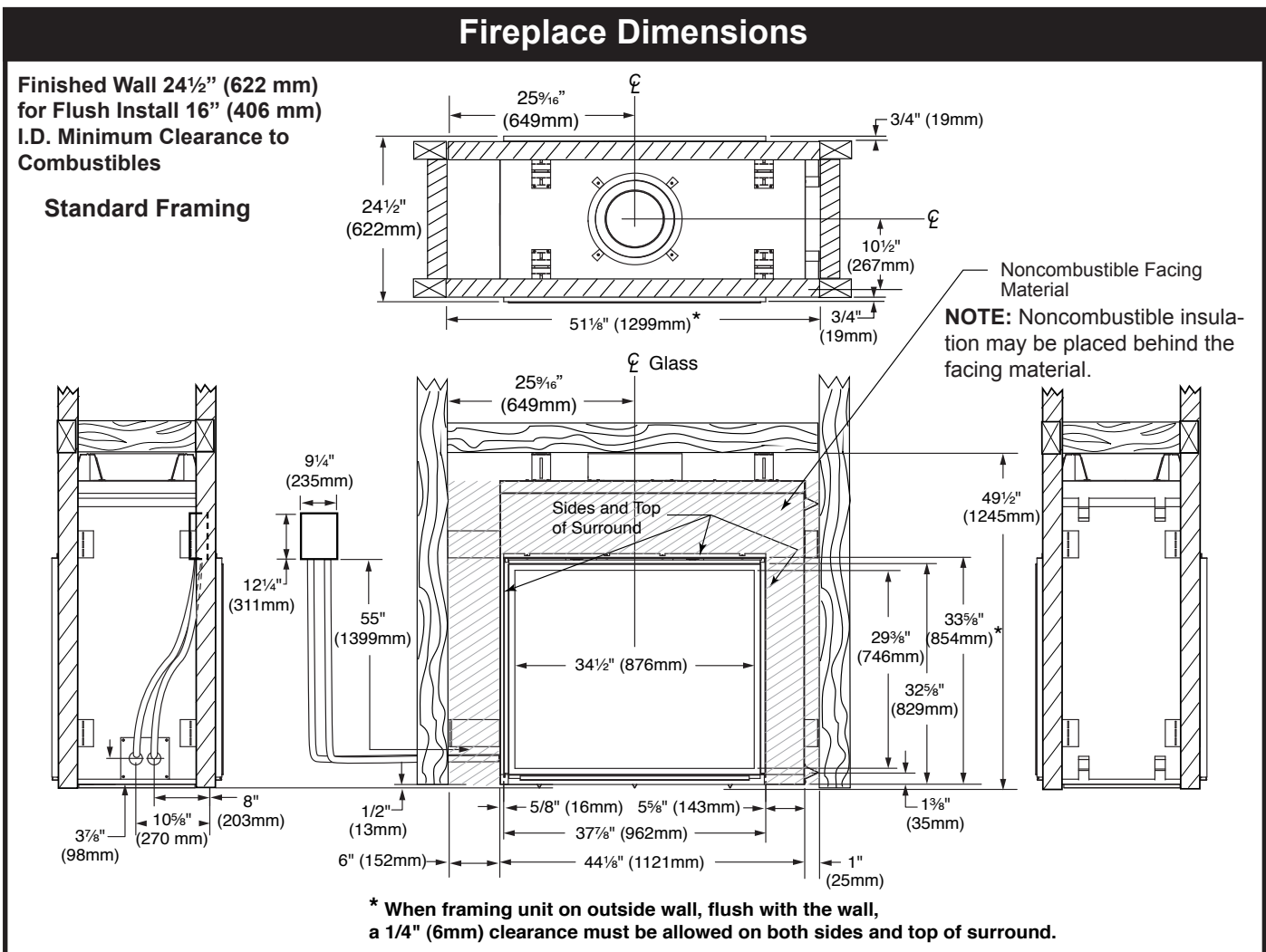


Fig. 2 Fireplace specifications and framing dimensions for DVT38S2.

**NOTE:** The control box must be located within the same room as the fireplace.

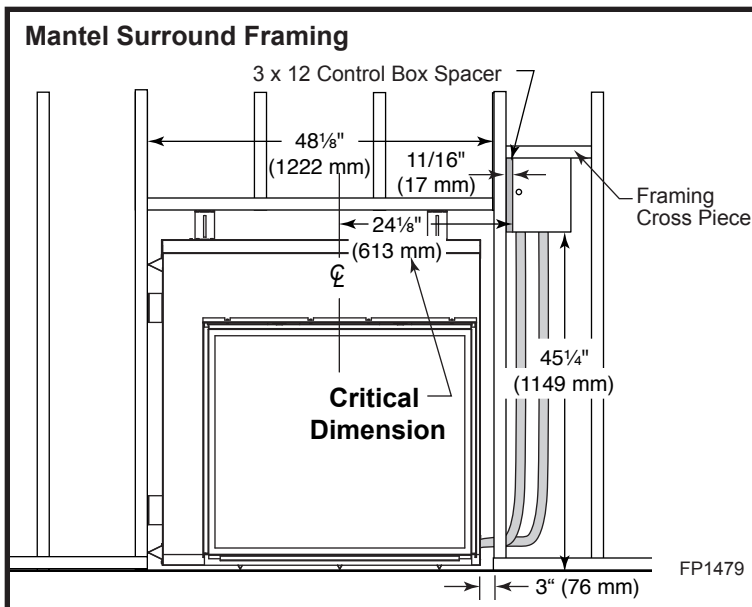


Fig. 2a Framing dimensions are critical when framing for the surround mantel CHFNO495, CHWC495, CHFPR495.

**CAUTION:** If you are framing with the plan to use the CHFNO495, CHWC495, CHFPR495 surround mantel, it is extremely critical to meet the dimensions provided, especially if the mantel is not available at the time of framing. **A framing stud is allowed to be placed on the inside of the 6" (152 mm) standoff on the side of the unit where the conduit is located to meet the 24⅛" (613 mm) critical dimension from the center of the unit.**

The unit is certified with a 3" (76 mm) standoff (to combustible) on the side of the unit where the conduit is located, therefore; it is permissible to locate stud on the inside of the standoff at 3" (76 mm) from the body of the unit. (Fig. 2a)

**NOTE:** The 6" (152 mm) standoff is sent out with the unit for the purpose of making the glass symmetrical with respect to the overall width of the unit.



### Clearance to Combustibles

- Top of Unit to Ceiling ..... 36" (914 mm)
- Front of Unit to Combustibles (both sides)... 36" (914 mm)
- Appliance
  - Top Standoffs ..... 0" (0 mm)
  - Bottom ..... 0" (0 mm)
  - Side Standoffs ..... 0" (0 mm)
  - Back Standoffs ..... 0" (0 mm)

#### Venting

Horizontal Termination through-a-side wall:

Vertical Sections:

- Sides ..... 2½" (64 mm)

Horizontal Sections:

- Top ..... 3½" (89 mm)
- Bottom ..... 1½" (38 mm)
- Sides ..... 2½" (64 mm)

Vertical Vent Application:

- Sides ..... 1½" (38 mm)

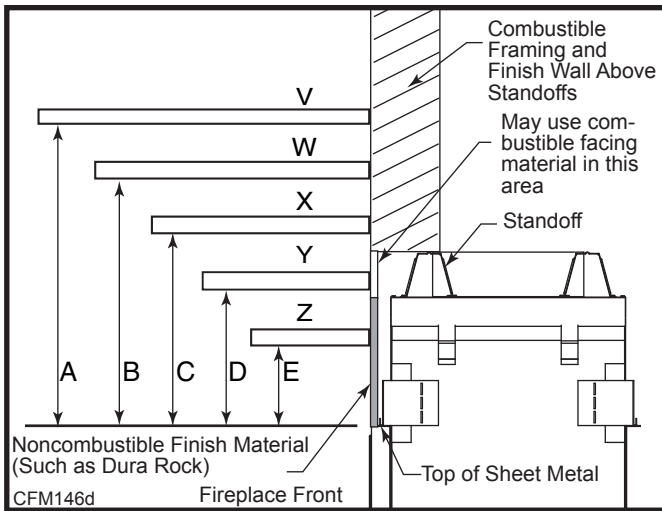
### Mantels

The height that a combustible mantel is fitted above the fireplace is dependent on the depth of the mantel. This also applies to the distance between the mantel leg (if fitted) and the fireplace.

For the correct mounting height and widths refer to Figs. 3a and 3b, the following Mantel Charts.

Noncombustible mantels and legs may be installed at any height and width around the appliance.

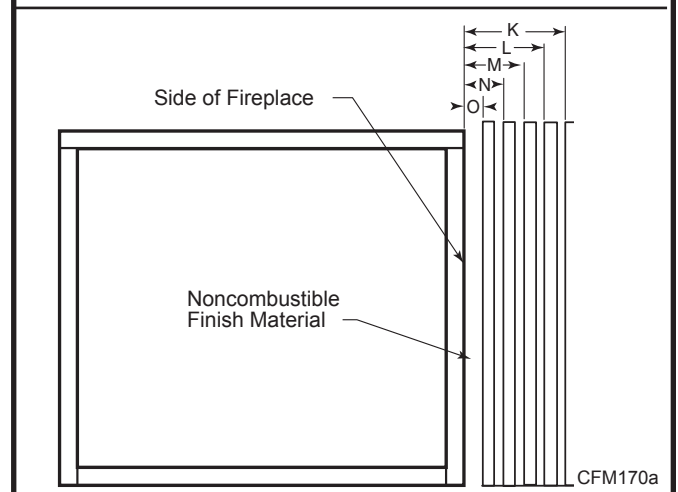
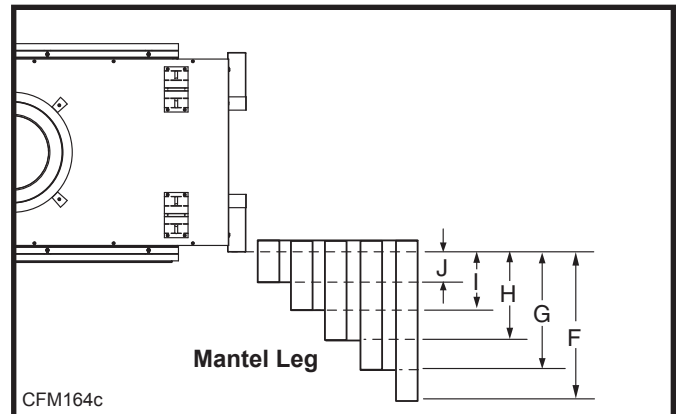
When using paint or lacquer to finish the mantel, such paint or lacquer must be heat resistant to prevent discoloration.



**Mantel Chart**

Ref.	Mantel Shelf or Breast Plate Depth	Ref.	Mantel from Top of Comb. Chamber
V	10" (254 mm)	A	10" (254 mm)
W	9" (229 mm)	B	9" (229 mm)
X	8" (203 mm)	C	8" (203 mm)
Y	7" (178 mm)	D	7" (178 mm)
Z	6" (152 mm)	E	6" (152 mm)

**Fig. 3a** Combustible mantel minimum installation.



Ref.	Mantel Leg Depth	Ref.	Mantel Leg from Side of Comb. Opening
F	12" (305 mm)	K	12" (305 mm)
G	9" (229 mm)	L	9" (229 mm)
H	6" (152 mm)	M	6" (152 mm)
I	4" (102 mm)	N	4" (102 mm)
J	3" (76 mm)	O	3" (76 mm)

**Fig. 3b** Combustible mantel leg minimum installation.

### Hearth

A hearth is not mandatory but is recommended for aesthetic purposes. We recommend a noncombustible hearth which projects out 12" (305 mm) or more from the front of the fireplace. The hearth cannot exceed 1½" (38 mm) in height from bottom of fireplace for ease of door accessibility. (Fig. 4)

#### Cold climate installation recommendation:



**When installing this unit against a non-insulated exterior wall or chase, it is mandatory the outer walls be insulated to conform to applicable insulation codes.**

## Framing and Finishing

**NOTE: The valve box assembly must be installed in the same room as the fireplace.**

1. Choose the unit location.
2. The unit is shipped with four (4) nailing flanges mounted near the front corners on the side with the valve box assembly. (Fig. 4)
3. Frame the fireplace with a header across the top of the standoff. (Fig. 5) It is very important to allow for the finished wall face along with marble, tiles or any

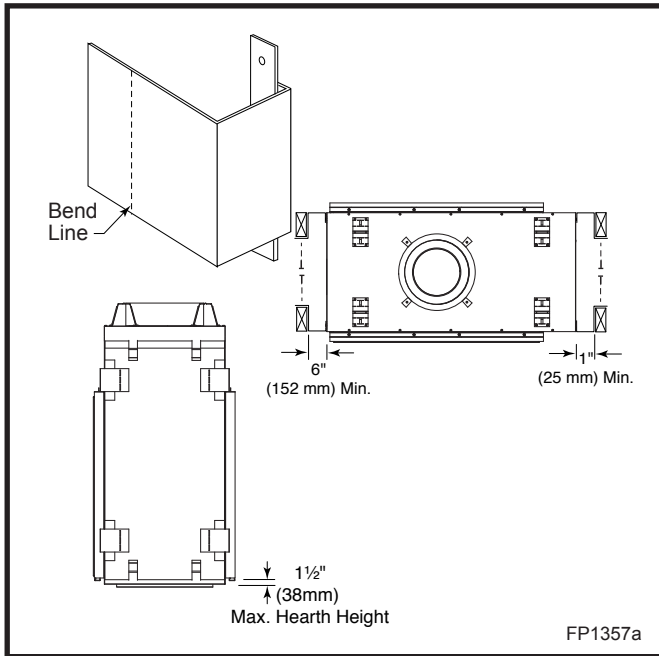


Fig. 4 Nailing flanges.

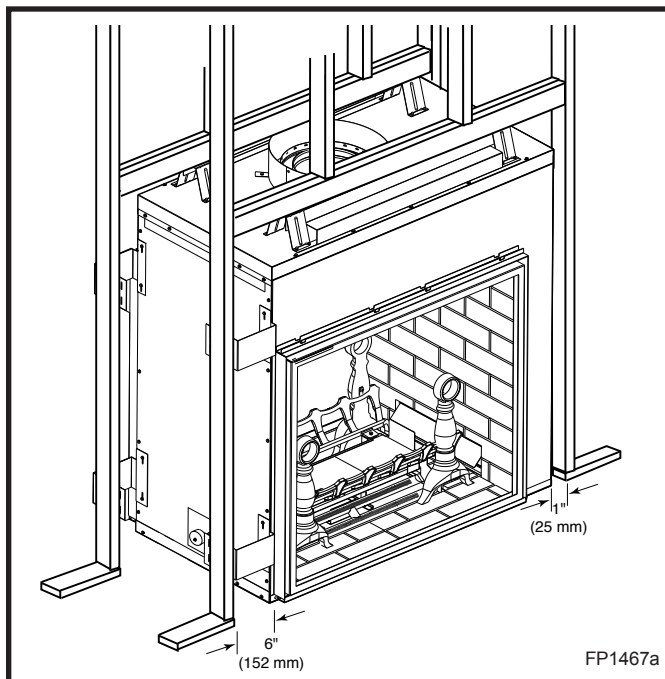


Fig. 5 Fireplace framing.

other noncombustible face finish material desired when setting the depth of the framing.

4. Attach the fireplace nailing flanges to the frame as shown in Figure 4.
5. The gas components are located in the control panel assembly attached to the right side of the unit. Choose the desired location on the wall or mantel for the valve box assembly. The conduit length is 5' (1524 mm). (Fig. 6) The framing dimensions for the box are 12 1/4" L x 9 1/4" W x 5 5/8" D (311 x 235 x 143 mm). When the framing for the box is complete, remove the screws securing the valve box to the outer casing. Carefully remove the valve box and, without stressing the conduit, slide the box into the framed opening. Replace the screws removed from the side of the outer casing.

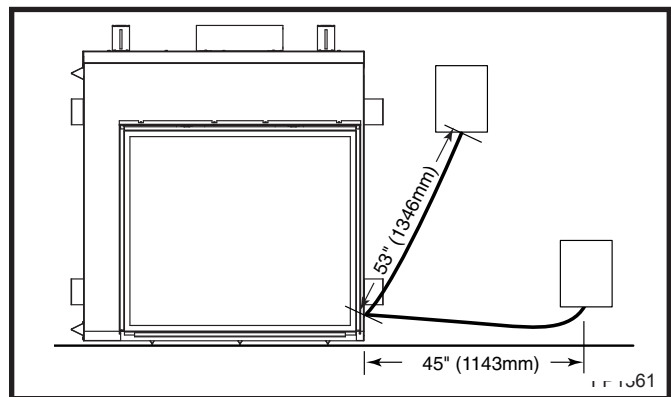


Fig. 6 Valve box assembly location.

6. To secure the valve box assembly to the framing members, open the box door, remove extension knob(s), remove the valve cover by removing the two (2) screws securing the valve cover to the box, hold the cover plate with one hand and disconnect the wires to the switch and pilot indicator (R models only). **NOTE:** Do not allow the valve cover plate to hang from the pilot indicator wires as this could damage the wires. Secure the box to the framing through the two (2) holes at the top and one (1) on each side using sheet rock screws. (Fig. 7) After framing the box, replace the wires, the valve cover, the extension knob(s) in reverse order. **NOTE:** The pilot indicator body is labelled +/-, make sure the positive wire on the pilot indicator goes to ground and the negative goes to the plug between the valve and the thermocouple.
7. The U-channel located on the top of the unit as well as the nailing flanges on the sides that were mentioned in Step 1, are designed to accommodate non-combustible board (recommended Dura-Rock). They are positioned 1" (25mm) back from the face of the unit. **NOTE:** The U-channel depth can be adjusted by loosening the hex nut inside the channel.

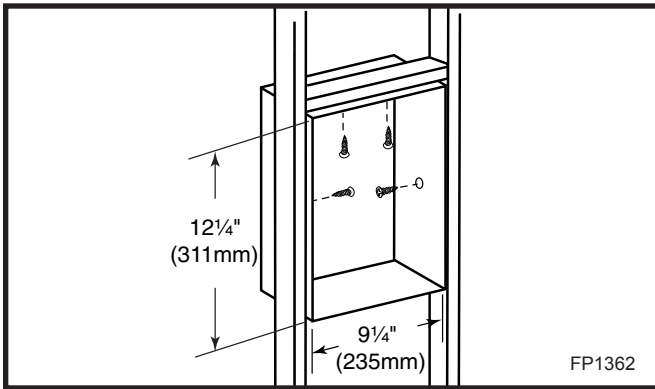


Fig. 7 Valve box framing.

If marble, tile or any other noncombustible decorative face finish material is desired, a 3" (76mm) wide noncombustible board (recommended Dura-Rock) is to be nailed to the nailing flanges on both sides of the unit. Also, 12" (305mm) of noncombustible board is to be nailed to the front face of the U-channel and the top framing member above the standoff. Combustible material can then be brought to the outside edges of the noncombustible board installed earlier. Any noncombustible decorative face finish could be brought to the sides and top of the unit and can cover the framing and sheet rock. If a decorative facing is not desired, then the noncombustible boards must be double thickness and brought flush with the face of the unit.

### Final Finishing

Noncombustible materials such as brick or tile may be brought to the edges of the face of the appliance.

### Gas Specifications

MODEL	FUEL	GAS CONTROL	MAX. INPUT B.T.U.H	MIN. INPUT B.T.U.H.
DVT38S2RN	Natural Gas	Millivolt	56,000	38,000
DVT38S2RP	Propane	Millivolt	56,000	45,500
DVT38S2EN	Natural Gas	24V Hi/Lo	56,000	38,000
DVT38S2EP	Propane	24V Hi/Lo	56,000	45,500

### Gas Inlet and Manifold Pressures

	Natural	LP (Propane)
Minimum Inlet Pressure	5.5" w.c.	11.0" w.c.
Maximum Inlet Pressure	14.0" w.c.	14.0" w.c.
Manifold Pressure	3.5" w.c.	10.0" w.c.

DVT38S2 Units: GFSN6Q3, GFSE6Q3

**DVT38S2**  
**Certified To**  
**ANSI Z21.50b-2005 / CSA 2.22b-2005**  
**Vented Gas Fireplace**

**High Elevations**



Input ratings are shown in BTU per hour and are certified without deration for elevations up to 4,500 feet (1,370m) above sea level.

For elevations above 4,500 feet (1,370m) in USA, installations must be in accordance with the current ANSI Z223.1/NFPA 54 and/or local codes having jurisdiction.

In Canada, please consult provincial and/or local authorities having jurisdiction for installations at elevations above 4,500 feet (1,370m).

**WARNING: Improper installation, adjustment, alteration, service or maintenance can cause injury or property damage. Refer to this manual for correct installation and operational procedures. For assistance or additional information consult a qualified installer, service agency, or the gas supplier.**

### Gas Line Installation

-  When purging gas line the front glass must be removed.
-  A gas shut off valve must be installed on the gas pipe line going into the appliance within easy access.

The gas pipeline can be brought in through the bottom right side of the valve box assembly.

The gas line connection can be made with properly tinned 1/2" copper tubing or 1/2" gas tight. Some municipalities have additional local codes, it is always best to consult your local authority and the **CSA-B149.1** installation codes.

For USA installations consult the current National Fuel Gas Code, **ANSI Z223.1/NFPA 54**.

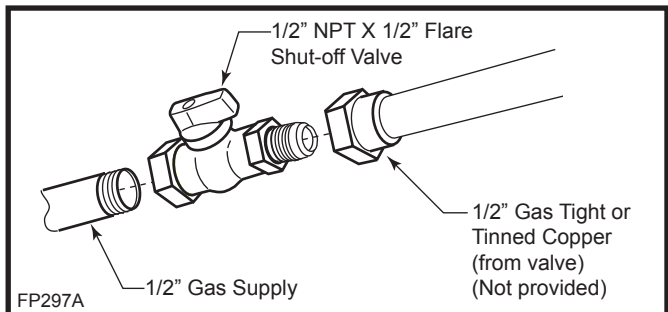


Fig. 8 Typical gas supply installation.



Always check for gas leaks with a mild soap and water solution applied with a brush no larger than 1" (25mm). Never apply soap and water solution with a spray bottle. Do not use an open flame for leak testing.



The fireplace valve must not be subjected to any test pressures exceeding 1/2 psi. Isolate or disconnect this or any other gas appliance control from the gas line when pressure testing.

The gas control is equipped with a captured screw type pressure test point, therefore it is not necessary to provide a 1/8" test point up stream of the control.

When using copper, use only approved fittings. **Always provide a union** when using black iron pipe so the gas line can be easily disconnected for burner servicing. A union may not be behind a wall. (Fig. 8) See the gas specifications for pressure details and ratings.

### Remote ON/OFF Switch



**Do not wire the remote ON/OFF wall switch for this gas appliance into a 120V power supply.**

The unit is equipped with an ON/OFF rocker switch at the valve box assembly. If a wall switch is desired, follow these instructions.

1. The valve box is equipped with two knockouts at the top right and left corners. The right knockout is designed to run the wall switch wires to the valve. Use Romex connectors when running wires through the valve box where the knockouts are located.
2. Attach the wire to the ON/OFF switch and install the switch into the receptacle box.
3. Connect the other end of the wire to the gas control valve. (Fig. 9)

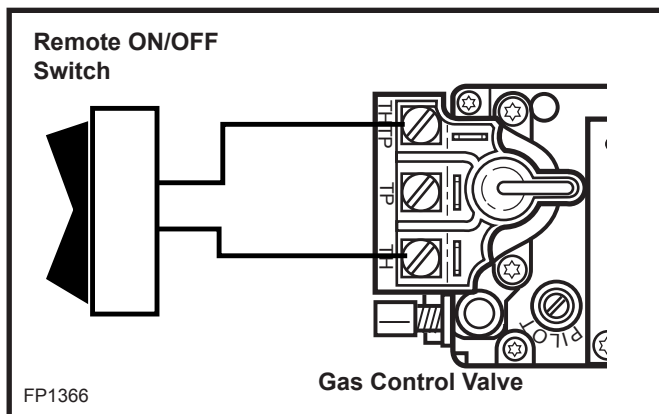


Fig. 9 Remote switch wiring diagram for R models.

### Electrical Junction Box (E Units Only)



The fireplace, when installed, must be electrically connected and grounded in accordance with local codes or, in the absence of local codes, with the current CSA C22.1 Canadian Electrical Code or the national electrical code ANSI/NFPA No. 70 in the USA.



It is strongly suggested that the wiring of the Electrical Junction Box be carried out by a licensed electrician. The box should be near the valve box assembly to plug the cord into.



Ensure the power to the supply line has been disconnected before commencing this procedure.

### Electronic Gas Control Valve

This appliance may be fitted with a Honeywell ignition module. The unit is shipped from the manufacturer with an ON/OFF switch. The ON/OFF switch is located in the valve box assembly. If desired a wall switch may be used.

Installation of the remote ON/OFF switch on electronic ignition units:

1. The valve box is equipped with two knockouts at the top right and left corners. The right knockout is designed to run the wall switch wires to the valve. The left knockout is designed for wiring the electronic unit (E model) to 120v with proper grounding. Use Romex connectors when running wires through the valve box where the knockouts are located.
2. Attach the wire to the ON/OFF switch and install the switch into the receptacle box. (Fig. 10)
3. Connect the White wire from the wall switch to the Black wire from the transformer, using an approved wire nut or terminal. Connect the Black wire from the wall switch to the Black wire running from the #6 position of the ignition module, also using an approved wire nut or terminal.

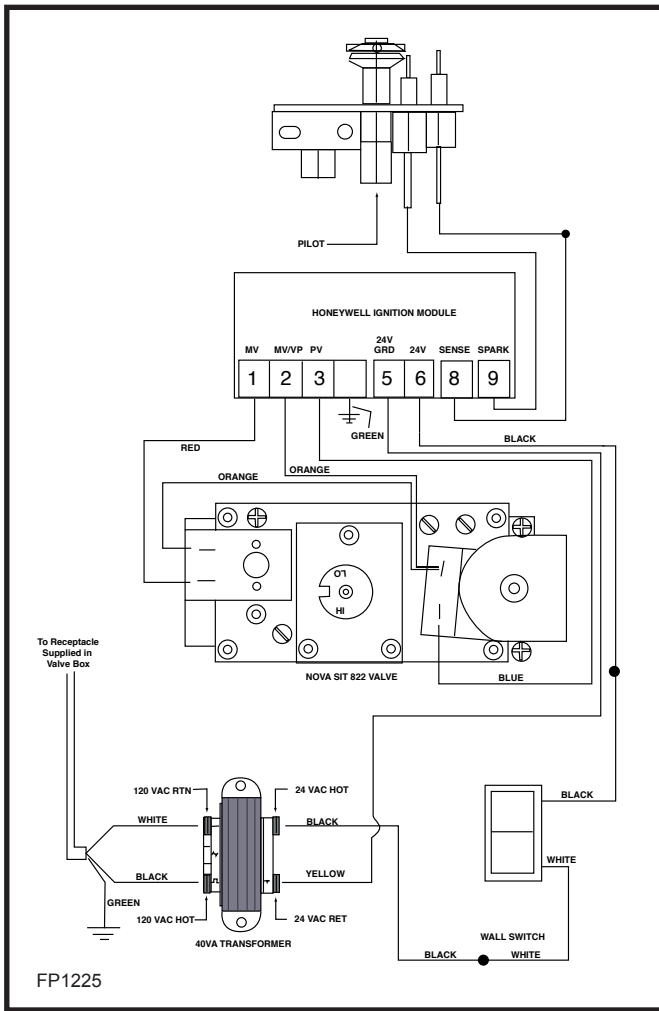


Fig. 10 Honeywell ignition module.

## General Venting

Your fireplace is approved to be vented either through the side wall, or vertical through the roof.

- **Only CFM Corporation venting components specifically approved and labelled for this fireplace may be used.**
- Venting terminals shall not be recessed into a wall or siding.
- Horizontal venting must be installed on a level plane without an inclining or declining slope.

There must not be any obstruction such as bushes, garden sheds, fences, decks or utility buildings within 24" (610mm) from the front of the termination hood.

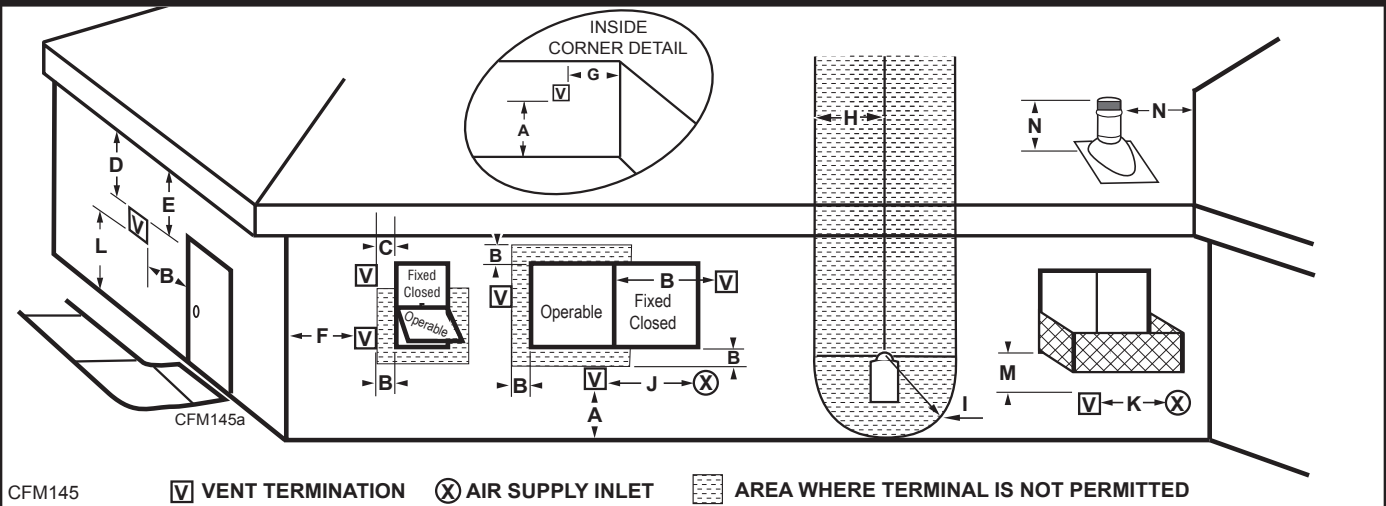
Do not locate termination hood where excessive snow or ice build up may occur. Be sure to check vent termination area after snow falls, and clear to prevent accidental blockage of venting system. When using snow blowers, make sure snow is not directed towards vent termination area.

### Location of Vent Termination

It is imperative the vent termination be located observing the minimum clearances as shown on following page.



**General Venting Information - Termination Location**



CFM145

**V** VENT TERMINATION    **X** AIR SUPPLY INLET    **▨** AREA WHERE TERMINAL IS NOT PERMITTED

	Canadian Installations <sup>1</sup>	US Installations <sup>2</sup>
A = Clearance above grade, veranda, porch, deck, or balcony	12" (30cm)	12" (30cm)
B = Clearance to window or door that may be opened	6" (15cm) for appliances < 10,000Btuh (3kW), 12" (30cm) for appliances > 10,000 Btuh (3kW) and < 100,000 Btuh (30kW), 36" (91cm) for appliances > 100,000 Btuh (30kW)	6" (15cm) for appliances < 10,000 Btuh (3kW), 9" (23cm) for appliances > 10,000 Btuh (3kW) and < 50,000 Btuh (15kW), 12" (30cm) for appliances > 50,000 Btuh (15kW)
C* = Clearance to permanently closed window	12" (305mm) recommended to prevent window condensation	12" (305mm) recommended to prevent window condensation
D* = Vertical clearance to ventilated soffit located above the terminal within a horizontal distance of 2' (610mm) from the center line of the terminal	18" (458mm)	18" (458mm)
E = Clearance to unventilated soffit	12" (305mm)	12" (305mm)
F = Clearance to outside corner	see next page	see next page
G = Clearance to inside corner (see next page)	see next page	see next page
H = Clearance to each inside of center line extended above meter/regulator assembly	3' (91cm) within a height of 15' (5m) above the meter/regulator assembly	3' (91cm) within a height of 15' (5m) above the meter/regulator assy
I = Clearance to service regulator vent outlet	3' (91cm)	3' (91cm)
J = Clearance to nonmechanical air supply inlet to building or the combustion air inlet to any other appliances	6" (15cm) for appliances < 10,000 Btuh (3kW), 12" (30cm) for appliances > 10,000 Btuh (3kW) and < 100,000 Btuh (30kW), 36" (91cm) for appliances > 100,000 Btuh (30kW)	6" (15cm) for appliances < 10,000 Btuh (3kW), 9" (23cm) for appliances > 10,000 Btuh (3kW) and < 50,000 Btuh (15kW), 12" (30cm) for appliances > 50,000 Btuh (15kW)
K = Clearance to a mechanical air supply inlet	6' (1.83m)	3' (91cm) above if within 10' (3m) horizontally
L = Clearance above paved sidewalk or paved driveway located on public property	7' (2.13m)†	7' (2.13m)†
M = Clearance under veranda, porch, deck or balcony	12" (30cm)‡	12" (30cm)‡
N = Clearance above a roof shall extend a minimum of 24" (610mm) above the highest point when it passes through the roof surface, and any other obstruction within a horizontal distance of 18" (450mm).		

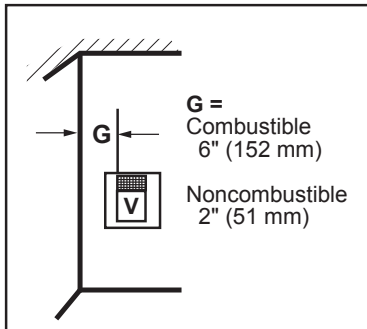
1 In accordance with the current CSA-B149 Installation Codes  
 2 In accordance with the current ANSI Z223.1/NFPA 54 National Fuel Gas Codes  
 † A vent shall not terminate directly above a sidewalk or paved driveway which is located between two single family dwellings and serves both dwellings  
 ‡ only permitted if veranda, porch, deck or balcony is fully open on a minimum 2 sides beneath the floor.  
 NOTE: 1. Local codes or regulations may require different clearances.  
 2. The special venting system used on Direct Vent Fireplaces are certified as part of the appliance, with clearances tested and approved by the listing agency.  
 3. CFM Corporation assumes no responsibility for the improper performance of the appliance when the venting system does not meet these requirements.

Fig. 11 Vent termination clearances.  
10

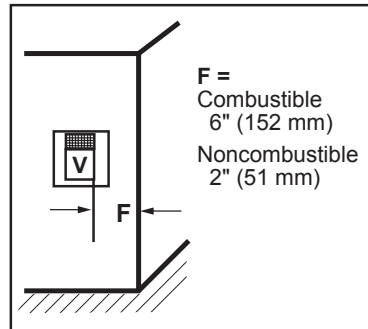
### Termination Clearances

Termination clearances for buildings with combustible and noncombustible exteriors.

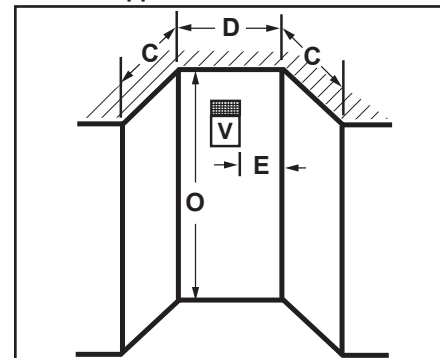
#### Inside Corner



#### Outside Corner

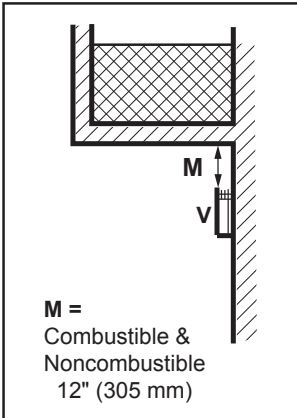


#### Alcove Applications\*



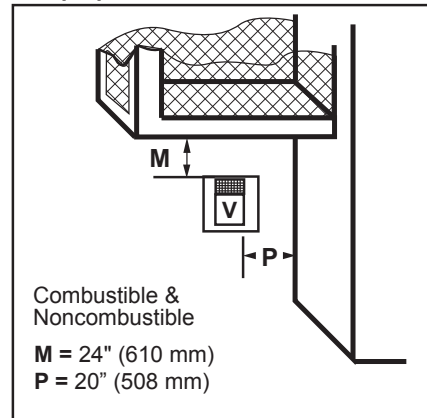
E = Min. 6" (152 mm) for non-vinyl sidewalls  
Min. 12" (305 mm) for vinyl sidewalls  
O = 8' (2.4 m) Min.

#### Balcony - with no side wall



M = Combustible & Noncombustible 12" (305 mm)

#### Balcony - with perpendicular side wall



Combustible & Noncombustible  
M = 24" (610 mm)  
P = 20" (508 mm)

No. of Caps	D <sub>Min.</sub>	C <sub>Max.</sub>
1	3' (.9 m)	2 x D <sub>Actual</sub>
2	6' (1.8 m)	1 x D <sub>Actual</sub>
3	9' (2.7 m)	2/3 x D <sub>Actual</sub>
4	12' (3.7 m)	1/2 x D <sub>Actual</sub>

D<sub>Min.</sub> = # of Termination caps x 3  
C<sub>Max.</sub> = (2 / # termination caps) x D<sub>Actual</sub>

584-15

\*NOTE: Termination in an alcove space (spaces open only on one side and with an overhang) is permitted with the dimensions specified for vinyl or non-vinyl siding and soffits. 1. There must be a 3' (914 mm) minimum between termination caps. 2. All mechanical air intakes within 10' (1 m) of a termination cap must be a minimum of 3' (914 mm) below the termination cap. 3. All gravity air intakes within 3' (914 mm) of a termination cap must be a minimum of 1' (305 mm) below the termination cap.

Fig. 12 Termination clearances.

## General Information Assembling Vent Pipes

### SK8 Venting Pipes

#### Canadian Installations:

The venting system must be installed in accordance with the current CSA-B149 .1 installation code.

#### USA Installations:

The venting system must conform with local codes and/or the current National Fuel Gas code ANSI Z223.1/ NFPA 54.

Only venting components manufactured by CFM Corporation can be used in Direct Vent systems.

**NOTE:** The joints of the inner pipe (flue pipe) must be taped with 550°F or higher temperature metal adhesive tape that meets the requirements of F.A.R. 25.853(a). High temperature sealant milpack or stove cement of 550°F or higher could be used instead. The joints of The outer pipe (fresh air pipe) must be taped with 315°F or higher temperature metal adhesive tape or the use of high temperature milpack or stove cement would be applicable. When using the unitized 30°, 45° or 90°

elbows, apply 1/4" bead of high temperature, 550°F or higher, sealant (milpack or stove cement) to the joint of the inner pipe (flue pipe) and the straight section as it is impossible to be taped. The outer pipe must be taped with 315°F high temperature metal adhesive tape for proper sealing.

Start by attaching the first vent pipe section to the collar on top of the fireplace. In order to attach the first pipe section, it may be necessary to remove the top shield. Remove four (4) screws securing top shield, install first pipe section and replace top shield.

Install the pipe as shown in Figure 14. When you get a good lock, you will hear the pipe clearly snap together. Once sections are snap-locked in place, it is extremely difficult to get them apart. Make sure the pipe is firmly snapped and locked together as each pipe section is mounted.

When installing elbows, follow the same procedure. The joints of inner and outer elbow must be taped with UL approved high temperature metal adhesive tape for

proper sealing. Be sure to always attach straps on upper elbow to a structural framing member.

For vertical installations, continue installing the pipe as required until pipe is installed up through the ceiling. At this point, you must install a firestop spacer.

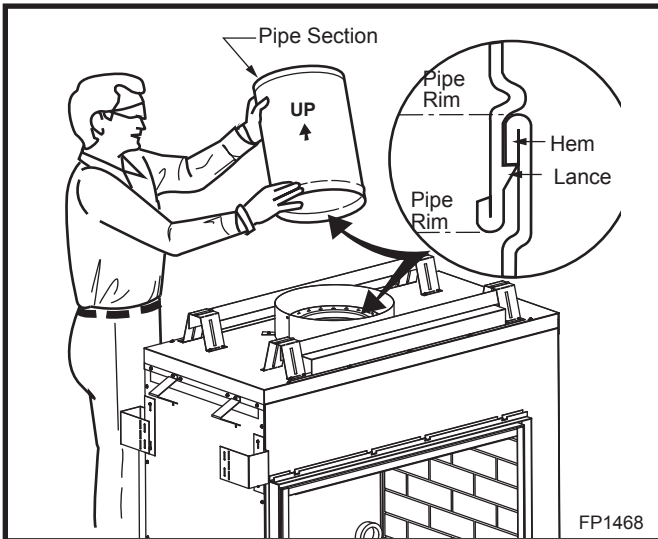


Fig. 13 Install pipe, listening for the snap-lock to fasten.

### Restrictor Plate Guide

Application	NG	LP
SK8DVSK or 2' (610mm) vertical elbow, 2' (610mm) horizontal	None	None
4' (1.2m) vertical elbow 10' (3m) horizontal elbow 8' (2.4m) vertical	None	4½" flue restrictor
12' (3.7m) vertical & greater	6¾" flue restrictor	6¾" flue restrictor

### Horizontal Termination

The vent must rise vertically a minimum of 24" (610 mm) off the top of the unit, before the first elbow. The horizontal run may extend up to 20' (6 m) and include a vertical rise of up to 40' (12 m). (Fig. 14) Horizontal termination must also meet the criteria shown in Figures 11 & 12.

- Approved vent systems must terminate above and including the heavy line in Figure 14.
- Two 45° elbows may be substituted for each single 90° elbow.
- With a rise between 2' - 4', one (1) 90° or two (2) 45° elbows may be used.

### Vertical Termination

A vertical vent system must terminate no less than 12' (3.66 m) and no more than 40' (12 m) above the appliance flue collar. A 2' (610 mm) vertical section must be

installed before any offset. A maximum of 20' (6.1 m) horizontal and three (3) 90° elbows may be installed with a minimum of 12' (3.66 m) vertical section above the flue collar of the unit. Refer to Page 13, Figure 15 for more information.

A vertically terminated vent system must also conform to the following criteria:

- No more than three (3) 90° elbows may be used.
- Two (2) 45° elbows may be substituted for one (1) 90° elbow. No more than six (6) elbows may be used.
- Vent must rise a minimum of 2' (610 mm) before offset is used.
- Termination height must conform to roof clearance as specified in Figure 35.

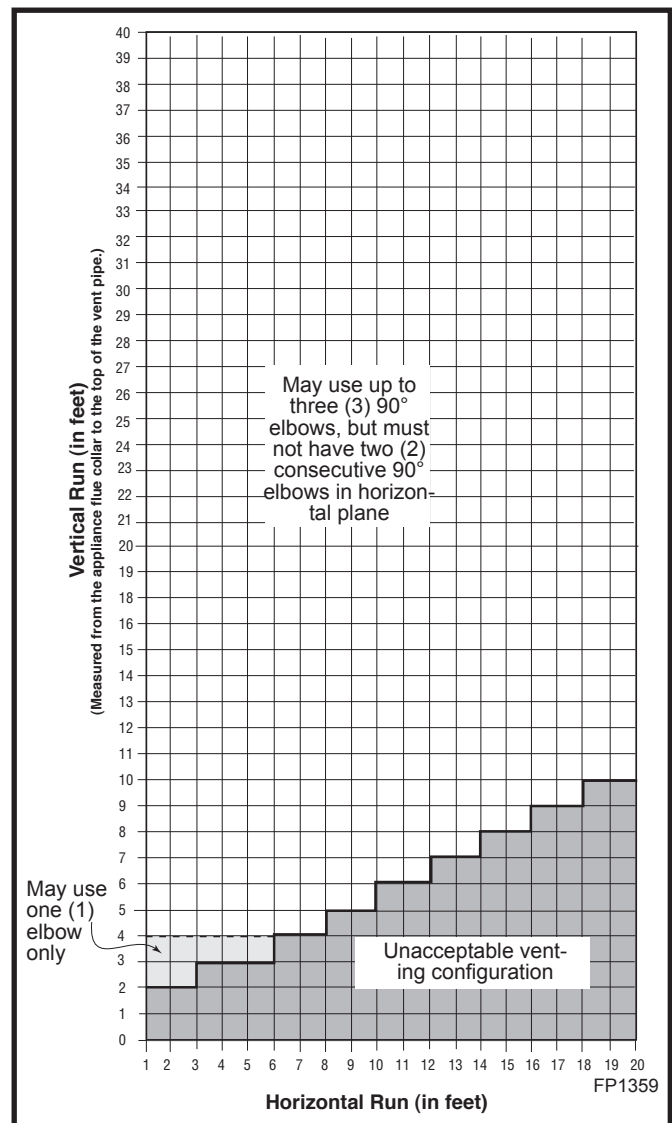


Fig. 14 Horizontal vent termination window.

## Sidewall Applications



Since it is very important that the venting system maintain its balance between the combustion air intake and the flue gas exhaust, certain limitations as to vent configurations apply and must be strictly adhered to.

The vent graph showing the relationship between vertical and horizontal side wall venting will help to determine the various dimensions allowable.



Minimum clearance between vent pipes and combustibles is 3½" (89 mm) on top, 2½" (64 mm) on both sides and 1½" (38 mm) on the bottom.

When the vent termination exits through foundations less than 20" (508mm) below siding outcrop, the vent pipe must be flush with the siding.

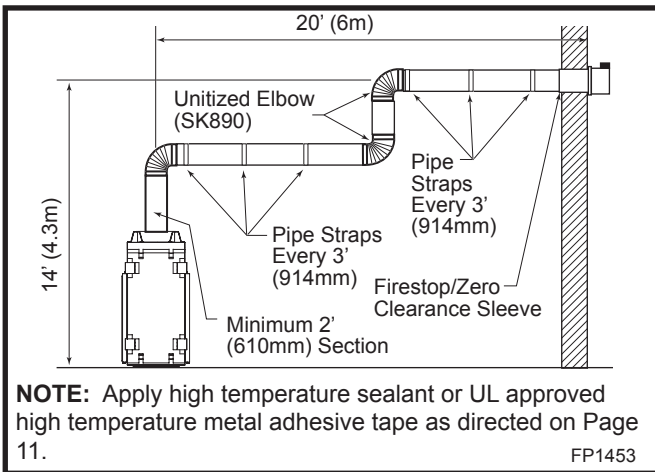


Fig. 15 Support straps for horizontal runs.

It is always best to locate the fireplace in such a way that minimizes the number of offsets and horizontal vent length of vent pipe from the flue collar of the fireplace to the face of the outer wall.

Horizontal plane means no vertical rise exists on this portion of the vent assembly.

- The maximum number of 90° elbows per side wall installation is three (3), but must not have two (2) consecutive elbows in the horizontal plane.
- A minimum of 2' (610mm) vertical section off the top of the unit is required, an elbow and a 1' (305mm) maximum horizontal run to get through a wall. (Fig. 16)
- The maximum number of 45° elbows permitted per side wall installation is two (2). These elbows can be installed in either the vertical or horizontal run. (Fig. 16)
- For each 45° elbow installed in the horizontal run, the length of the horizontal run MUST be reduced by

18" (45 cm). This does not apply if the 45° elbows are installed on the vertical part of the vent system. For each 90° elbow installed in the horizontal run, the length of the horizontal run MUST be reduced by 36" (914 mm).

- The maximum number of elbow degrees in a system is 270°. (Fig. 18)

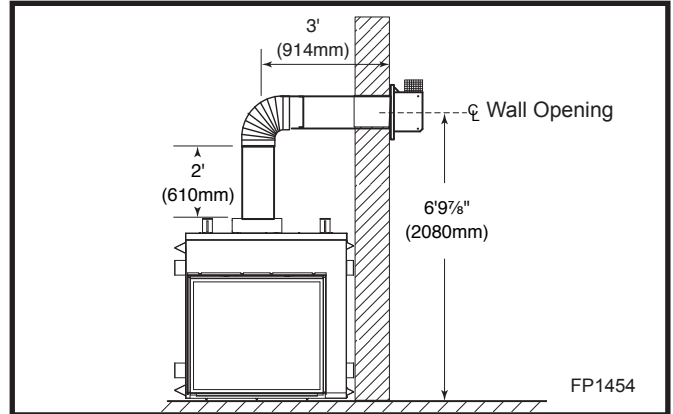


Fig. 16 Minimum vertical run / maximum horizontal run.

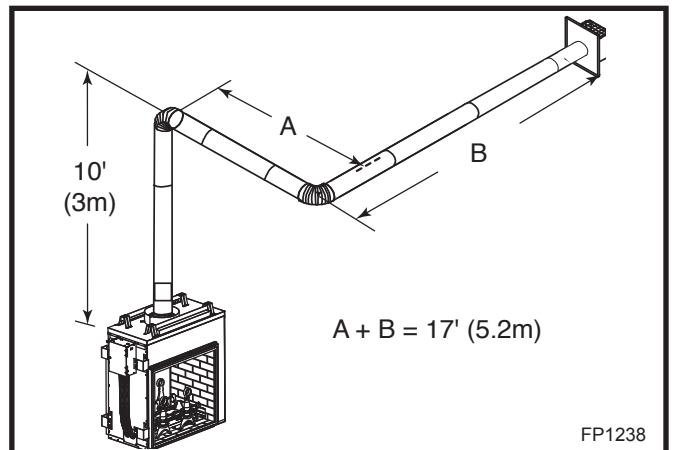


Fig. 17 Maximum vent run with elbows.

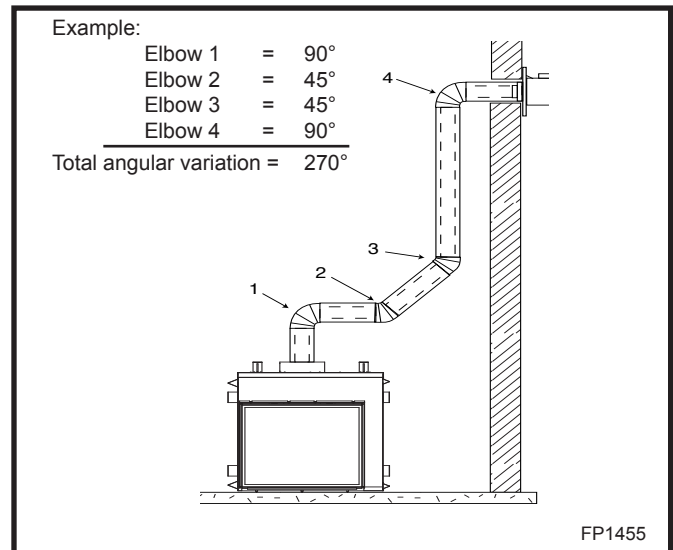


Fig. 18 Maximum number of elbow degrees.

## Sidewall Installation

### STEP 1

Locate vent opening on the wall. It may be necessary to first position the fireplace and measure to obtain hole location. Depending on whether the wall is combustible or noncombustible, cut opening to size. (Fig. 19)

For combustible walls first frame in opening.

**Combustible Walls:** Cut a 16¼”H x 16¼” W (413 x 413 mm) hole through the exterior wall and frame as shown.

**Noncombustible Walls:** Hole opening must be 11¼” (286 mm) in diameter.

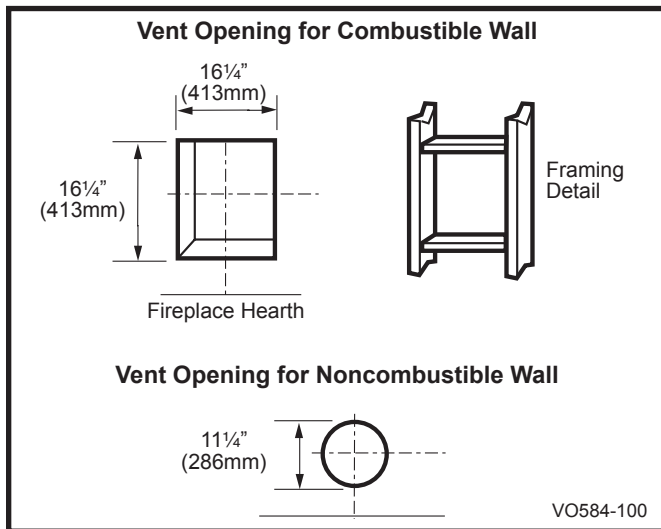


Fig. 19 Locate vent opening on wall.

### STEP 2

Measure wall thickness and cut zero clearance sleeve parts to proper length (MAXIMUM 12"/305 mm). Assemble sleeve using #8 sheet metal screws (supplied). (Fig. 20) Install firestop assembly. (Fig. 30)



**Zero clearance sleeve is only required for combustible walls.**

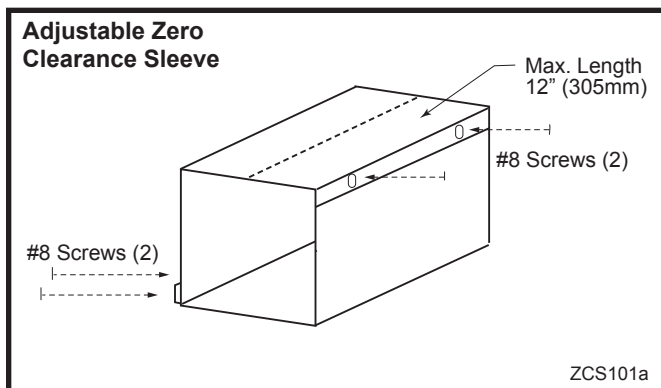


Fig. 20 Adjustable zero clearance sleeve.

### STEP 3

Slide the zero clearance sleeve through the wall and install the firestop on the inside surface of the wall. Secure with four (4) #8 sheet metal screws.

### STEP 4

Place fireplace into position. (Fig. 21) Measure the vertical height (X) required from the base of the flue collars to the center of the wall opening. **NOTE:** If using the SK8DVSK Kit, the vertical section of pipe is telescopic and could provide adjustment from 24" up to 40" (610 mm to 1016 mm).

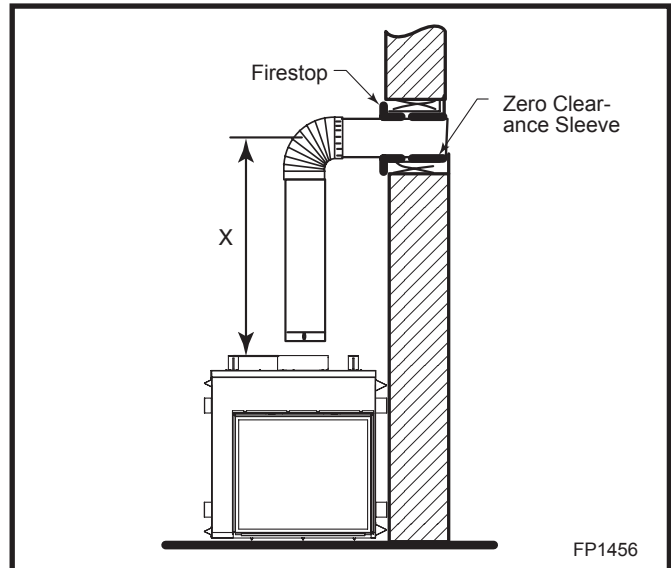


Fig. 21 Vertical height requirement.

### STEP 5

Tape the inner and outer flue collars of the fireplace using UL approved metal adhesive tape to ensure the joints are sealed. Attach an appropriate length of vent pipe to the fireplace. Follow with the installation of the inner and outer elbow, tape elbow joints and secure joints as described on Page 11.

### STEP 6

Measure the horizontal length requirement including a 2" (51 mm) overlap, ie from the elbow to the outside wall face plus 2" (51 mm) (or the distance required if installing a second 90° elbow). (Fig. 22)



**Always install horizontal venting on a level plane.**

### STEP 7

Use appropriate length of pipe sections and install the horizontal vent sections. You may need to cut 1' wall section to size to be flush with the outside wall. The sections which go through the wall are packaged with the starter kit, and can be cut to suit if necessary. (Fig. 23)



Sealing firestop gaps with high temperature sealant will restrict cold air being drawn in around fire-place.

**STEP 8**

Guide the vent terminations 8" and 11" collars into their respective vent pipes. Double check that the vent pipes overlap the collars by 2" (51 mm). Secure the termination to the wall with screws provided and caulk around the wall plate to weatherproof. (Fig. 24) As an alternative to screwing the termination directly to the wall you may also use expanding plugs or an approved exterior construction adhesive.

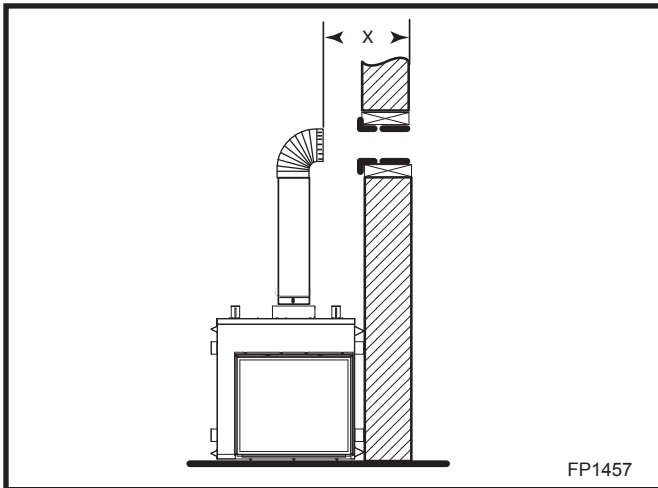


Fig. 22 Horizontal length requirement.

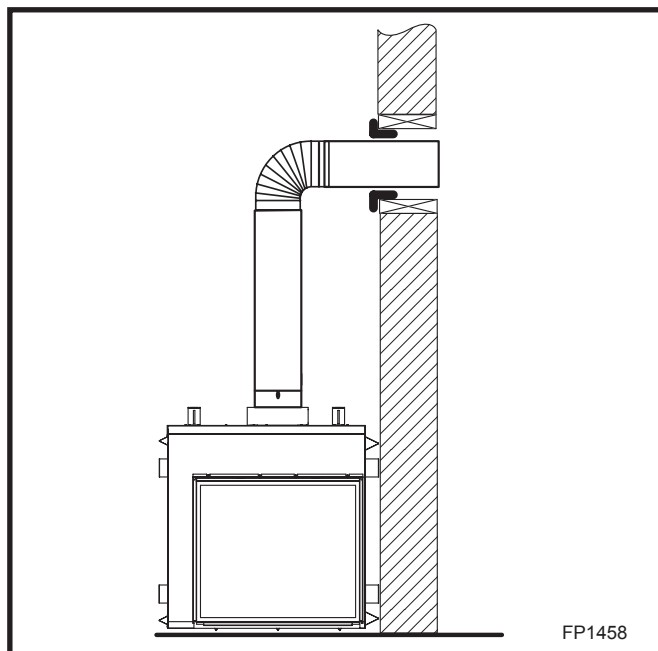


Fig. 23 Through the wall.

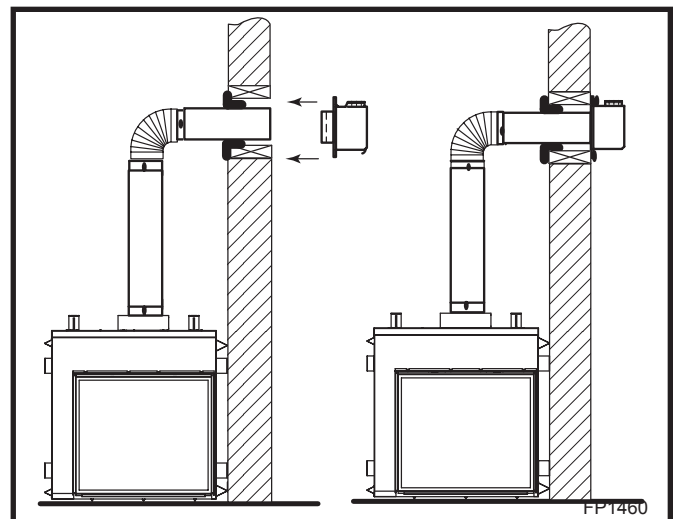


Fig. 24 Secure termination to wall.



**Support horizontal pipes every 3' (914 mm) with metal pipe straps.**

**Check fireplace to make sure it is levelled and properly positioned.**

**Sidewall Installation with Stationary Glass Facing Outside**

**CAUTION:** Unit must be installed with stationary glass facing outside. (Control panel assembly will be located on the left side of the unit when facing the unit from inside house.)

Failure to do so will result in a major reconstruction and CFM Corporation will not be responsible for costs associated with incorrect installation.



**CAUTION:** Control panel assembly must be installed on the inside of the house and not on the outside.

**STEP 1**

Locate vent opening on the wall. It may be necessary to first position the fireplace and measure to obtain hole location. Depending on whether the wall is combustible or noncombustible, cut opening to size. (Fig. 19)

For combustible walls first frame in opening.

**Combustible Walls:** Cut a 16¼" H x 16¼" W (413 x 413 mm) hole through the exterior wall and frame as shown.

**Noncombustible Walls:** Hole opening must be 11¼" (286mm) in diameter.

**STEP 2**

Measure wall thickness and cut zero clearance sleeve parts to proper length (MAXIMUM 12"/305 mm). Assemble sleeve using #8 sheet metal screws (supplied). (Fig. 20) Install firestop assembly. (Fig. 30)



**Zero clearance sleeve is only required for combustible walls.**

**STEP 3**

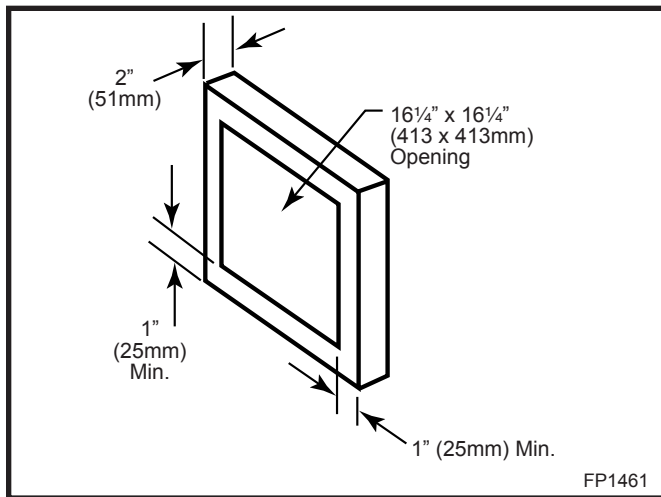
Slide the zero clearance sleeve through the wall and install the firestop on the inside surface of the wall. Secure with four (4) #8 sheet metal screws.

**STEP 4**

Place fireplace into position. (Fig. 21) Measure the vertical height (X) required from the base of the flue collars to the center of the wall opening. **NOTE:** If using the SK8DVSK Kit, the vertical section of pipe is telescopic and could provide adjustment from 24" up to 40" (610mm to 1016mm). Through the wall section shipped with the starter kit will not be used when going through the wall.

**STEP 5**

Tape the inner and outer flue collars of the fireplace using UL approved metal adhesive tape to ensure the joints are sealed. Attach an appropriate length of vent pipe to the fireplace. Follow with the installation of the inner and outer elbow, tape elbow joints and secure joints as described on Page 11.



**Fig. 25** A 2" (51mm) thick trim is required around opening.

**Sealing firestop gaps with high temperature sealant will restrict cold air being drawn in around fireplace.**

**STEP 6**

Before installing the termination, a 2" (51 mm) thick trim or frame is required around the the 16 1/4" x 16 1/4" (413 x 413 mm) square opening to allow the vent termination to go directly onto the elbow. (Fig. 25)

**STEP 7**

Guide the vent terminations 8" and 11" collars into their respective vent pipes. Double check that the vent pipes overlap the collars by 2" (51 mm). Secure the termination to the wall with screws provided and caulk around

the wall plate to weatherproof. (Fig. 25) As an alternative to screwing the termination directly to the wall you may also use expanding plugs or an approved exterior construction adhesive.

**Installing the 38S2VDK Door**

When installing the DVT38S2 on an outside wall, the following steps must be taken into consideration. **Failure to do so will result in a major reconstruction and CFM Corporation will not be responsible for costs associated with incorrect installation.**

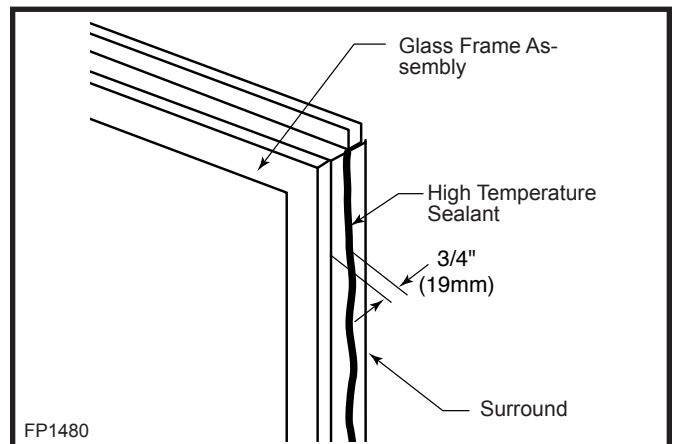
- If the unit is to be installed flush with the wall, a 1/4" (6 mm) clearance is required on both sides and top of surround around the glass frame assembly in order for the door to be accessible. (Refer to Page 4, Fig. 2)
- If the unit is recessed 3/4" (19 mm) from the wall, then no extra clearances are needed around the surround.
- The unit must be installed with the stationary glass facing the outside (control panel assembly will be located on the left hand side of the unit when facing the unit from inside the house).
- The control panel assembly must only be installed on an inside wall.

Package contents:

- 1, Glass frame assembly
- 2, Brackets
- 2, Short machine screws
- 2, Long machine screws
- 4, sheet metal screws

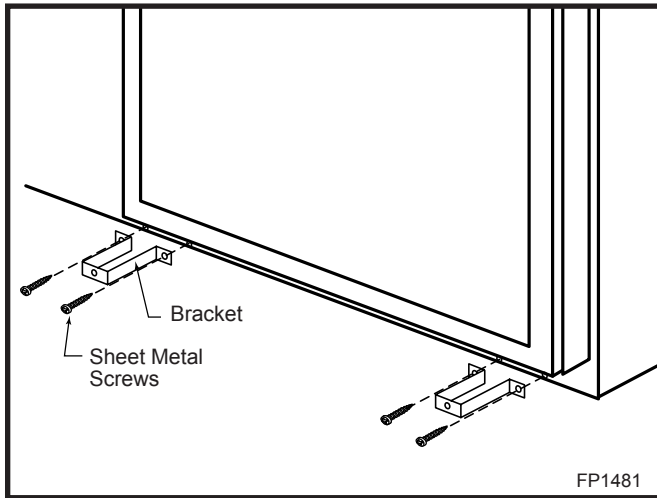
**Installation Procedure**

1. If the unit is installed flush with the wall, a high temperature sealant must be applied to seal around the surround around the glass frame assembly 3/4" (19 mm) of the front edge of the surround. (Fig. 26)



**Fig. 26** Apply high temperature sealant on surround around glass frame assembly when unit is installed flush with wall.

2. Install the two (2) brackets, using the sheet metal screws, at the bottom right and left corners of the unit. (Fig. 27)



**Fig. 27** Use sheet metal screws to attach brackets to existing holes under glass frame assembly.

3. Set the glass frame assembly provided with your kit in front of the glass frame assembly on the unit (the outside side).
4. Have the machine screws provided with the kit within reach.
5. Unfasten the two (2) machine screws that secure the glass frame assembly to the unit and discard. Slide the glass frame assembly provided with the kit over the surround around the glass frame assembly on the side and top.

**WARNING:** The glass frame assembly provided with the unit must be left in place for proper operation. Failure to do so could cause property damage and malfunction of the unit.

6. Fasten the two (2) long machine screws at the top through the two (2) glass frame assemblies and fasten the two (2) short machine screws at the bottom right and left corner into the bracket installed earlier.

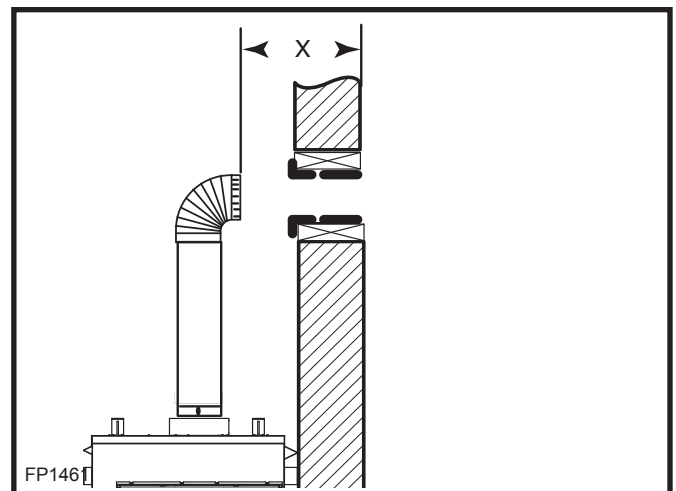
## Vertical Through-the-Roof Applications

### Use of Restrictor Plate for Vertical Venting Application

The primary purpose for the vent restrictor is to regain flame height under certain venting conditions as outlined below.

**NOTE:** The joints of the inner pipe (flue pipe) must be taped with 550°F or higher temperature metal adhesive tape that meets the requirements of F.A.R. 25.853(a). High temperature sealant milpack or stove cement of 550°F or higher could be used instead. The joints of The outer pipe (fresh air pipe) must be taped with 315°F or higher temperature metal adhesive tape or the use of high temperature milpack or stove cement would be applicable. When using the unitized 30°, 45° or 90° elbows, apply 1/4" bead of high temperature, 550°F or higher, sealant (milpack or stove cement) to the joint of the inner pipe (flue pipe) and the straight section as it is impossible to be taped. The outer pipe must be taped with 315°F high temperature metal adhesive tape for proper sealing.

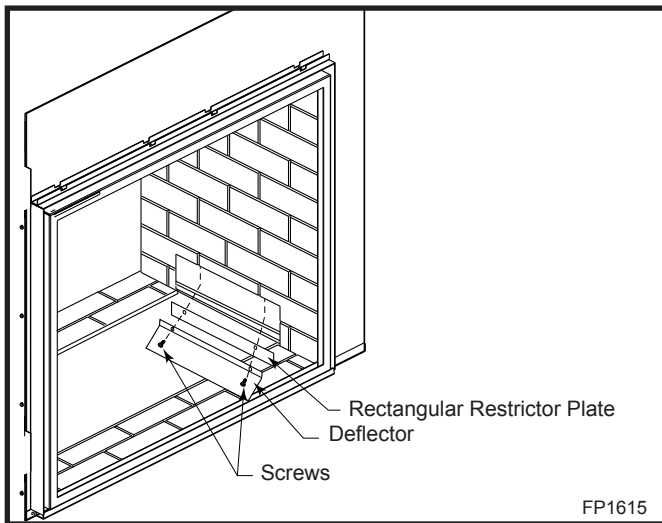
For vertically venting either propane or natural gas units, with vertical vent heights of 12' (3.7m) or greater, (measured from the top of the flue collar) the restrictor plate as supplied with this unit should be used. (Fig. 28) Refer to Page 21, Figure 37 for restrictor plate installation.



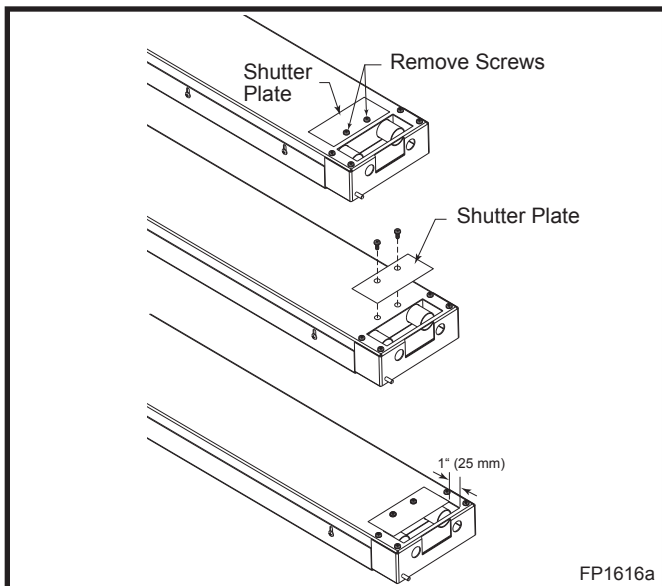
**Fig. 28** Restrictor plate use in straight up installation.

For LP gas venting straight vertical with 20' (6 m) or more, adjust the primary air to the burner housing as well as the fresh air to the unit by doing the following:

1. Remove glass, logs, glowing embers (if installed).
2. Remove andirons, fettles and burner housing.
3. Remove the two (2) screws securing the deflector and the rectangular restrictor plate in place. (Fig. 29) Turn the restrictor plate around so the body of the plate will extend down over the air opening.
4. Turn the burner housing upside down. Remove the two (2) screws securing the shutter plate to the bottom of the burner. Turn the shutter plate around so the bottom opening is 1" (25 mm). Replace the screws removed earlier. (Fig. 30)
5. Reinstall burner housing, fettle, andirons, logs and glowing embers in reverse order. (Refer to Page xx for log installation)

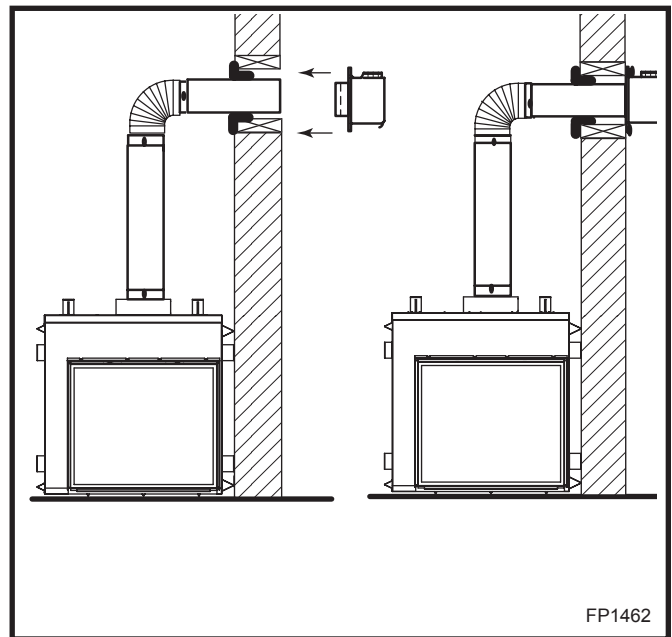


**Fig. 29** Turn rectangular restrictor plate over to partially cover opening.



**Fig. 30** Turn shutter plate over to cover opening.

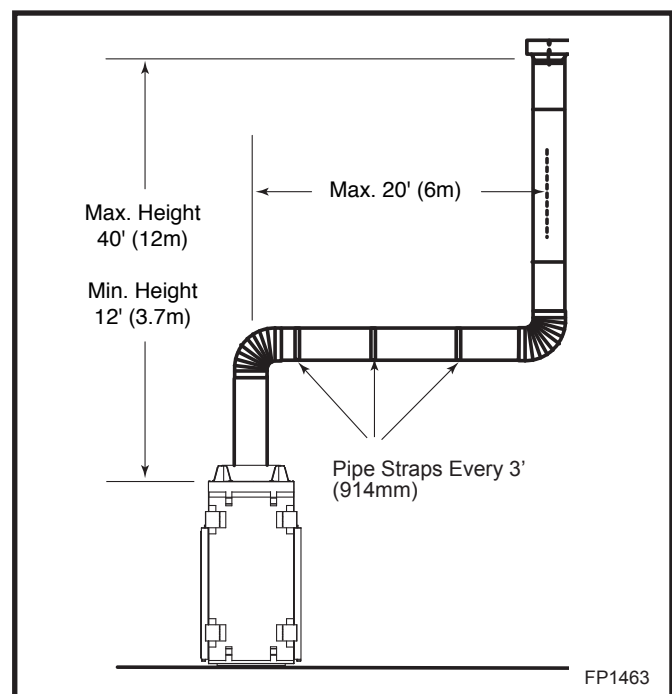
For vertical venting configurations that include a minimum vertical rise of 12' (3.7 m) and a maximum horizontal offset of 10' (3 m) the 4½" restrictor plate supplied with this unit should be used on LP unit only. (Fig. 31) Refer to Page 32, Figure 39 for restrictor plate installation.



**Fig. 31** Restrictor plate use with horizontal offset.

This Gas Fireplace has been approved for,

- Vertical installations up to 40' (12 m) in height. Up to a 20' (6 m) horizontal vent run can be installed within the vent system using a maximum of three (3) 90° elbows. (Fig. 32)



**Fig. 32** Support straps for horizontal runs.

- A 2' (610 mm) vertical section must be installed before any offset. A maximum of 20' (6.1 m) horizontal and three (3) 90° elbows may be installed with a minimum of 12' (3.66 m) vertical section above the flue collar of the unit. (Fig. 32)
- Up to two (2) 30° or 45° elbows may be used within the horizontal run. For each 30° or 45° elbow used on the horizontal level the maximum horizontal length must be reduced by 18" (457 mm).

**Example:** Maximum horizontal length

- 0 x 30° or 45° elbows = 10' (3 m)
- 1 x 30° or 45° elbows = 8'6" (2.6 m)
- 2 x 30° or 45° elbows = 7' (2.1 m)

- A minimum of a 12' (3.7 m) vertical rise.
- Two sets of 30° or 45° elbows offsets within these vertical installations. From 0 to a maximum of 8' (2.4 m) of vent pipe can be used between elbows. (Fig. 33)
- SKCS8 must be used to support offsets. (Fig. 36) This application will require that you first determine the roof pitch and use the appropriate starter kit. (Refer to Venting Components List)
- The minimum height of the vent above the highest point of penetration through the roof is 2' (610 mm). (Fig. 37)

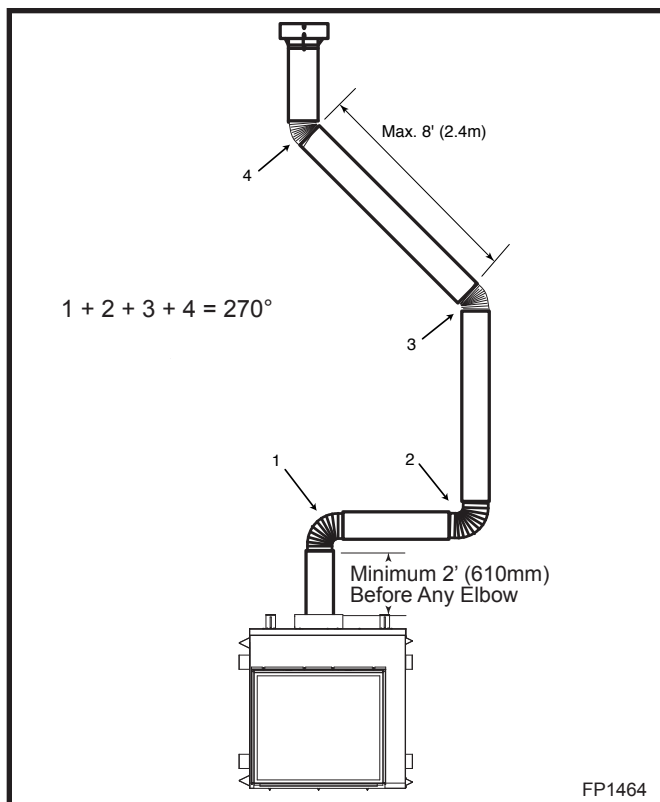


Fig. 33 Typical offset application.

### Vertical Through-the-Roof Installation

1. Locate your fireplace.
  2. Plumb to center of the (8") flue collar from ceiling above and mark position.
  3. Cut opening equal to 14½" x 14½" (368 x 368 mm).
  4. Proceed to plumb for additional openings through the roof. In all cases, the opening must provide a minimum of 1½" (38 mm) clearance to the vent pipe, i.e., the hole must be at least 14½" x 14½" (368 x 368 mm).
  5. Place fireplace into position.
  6. Place firestop(s) SKFS2A or Attic Insulation Shield AIS-SK into position and secure. (Figs. 34, 35)
  7. Install roof support (Fig. 34) and roof flashing making sure upper flange of flashing is below the shingles.
  8. Install appropriate pipe sections until the venting is above the flashing.
- NOTE:** Tape the inner and outer flue collars of the fireplace using UL approved metal adhesive tape to ensure the joints are sealed.
9. Seal around the pipe.
  10. Add additional vent lengths for proper height. (Fig. 37)

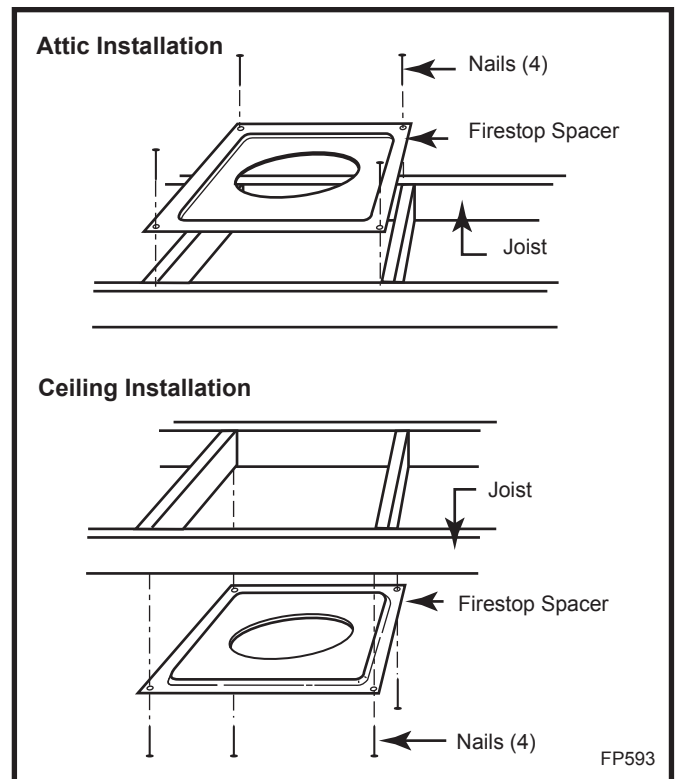


Fig. 34 Installing firestop spacer.



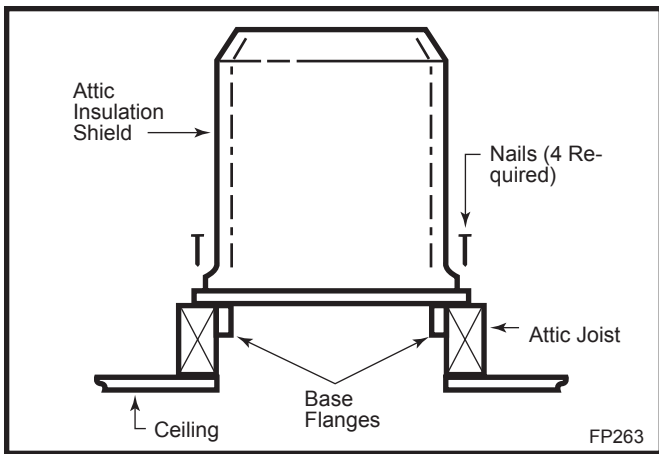


Fig. 35 Attic shield installation.

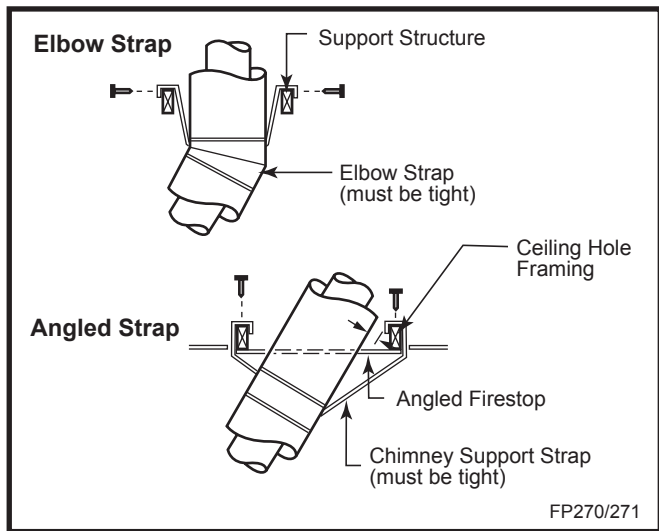


Fig. 36 Attach straps to a structural framing member.

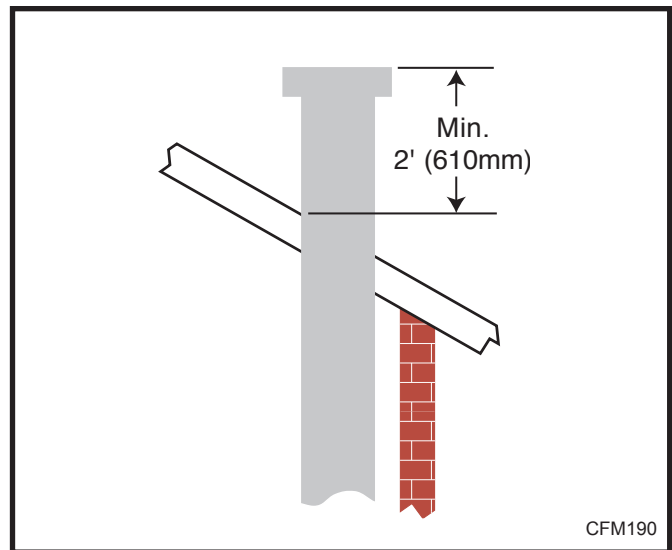


Fig. 37 Minimum termination to roof clearance.



**If an attic is above ceiling level an AIS-SK (Attic Insulation Shield) must be installed.**  
**The enlarged ends of the vent section always face downward.**

<b>Chimney Components</b>		
<b>Component</b>	<b>Description</b>	<b>Model Number</b>
Horizontal Starter Kit	Contains 24"-40" telescopic pipe* for minimum vertical rise from collar pipe, 90° elbow, horizontal through-wall starter pipe, zero clearance sleeve, metal adhesive tape, sidewall termination and firestop.	SK8DVSK
SK8 Chimney Sections	Pipe used to build 8" (SK8) flue systems.	SK81 (1' Long) SK818 (1 1/2x' Long) SK83 (3' Long) SK84 (4' Long)
SK8 Chimney Elbows	Elbow used to create an offset in an 8" chimney system.	SK830-2 30° Elbow* (2 per pkg.) SK845 45° Elbow* SK890 90° Elbow*
Firestop	Required at each floor level of chimney installation. (Plus attic on multi-story installation.)	SKFS2A — (8" straight flue) SK8DVFS (Horizontal Firestop)
Zero Clearance Sleeve	Used when horizontal pipe goes through an interior vertical wall.	SK8ZCS
Attic Insulation Shield	Used to prevent insulation from coming in contact with the chimney system.	AIS-SK
Chimney Support	Used to support chimney for each of: 30' vertical height and 6' of angled chimney run.	SKCS8
Round Top Termination	Top used to terminate chimney at roof. (Flashing not included.)	RLTSK8
Round Top Termination - Extended	Top used to terminate chimney at chase. (Flashing not included.)	RLTSK8L
Flashing	Metal finishing required around termination to prevent rain leakage.	8-6-12 with 8" flue: 0-6/12 pitch 8-12-12 with 8" flue: 6/12-12/12 pitch
Housing Extensions	Extends Square Termination on steep pitched roofs.	202036
Chase Top Housing	Low profile pyramid-style chimney cap used to terminate chimney through a chase. Includes adapter. (Flashing not included.)	PTLSK8
Chase Top Housing	Square chimney cap used to terminate chimney through a chase. Terra Cotta Masonry. Includes adapter. (Flashing not included.)	SLTSK8
Horizontal Termination	Used to terminate venting through a sidewall.	SK8DVRVT

**NOTE: The 24"-38" telescopic pipe is only intended for use with the SK8DVSK.**

\* Factory unitized elbow

## Operating Instructions

### Glass Information

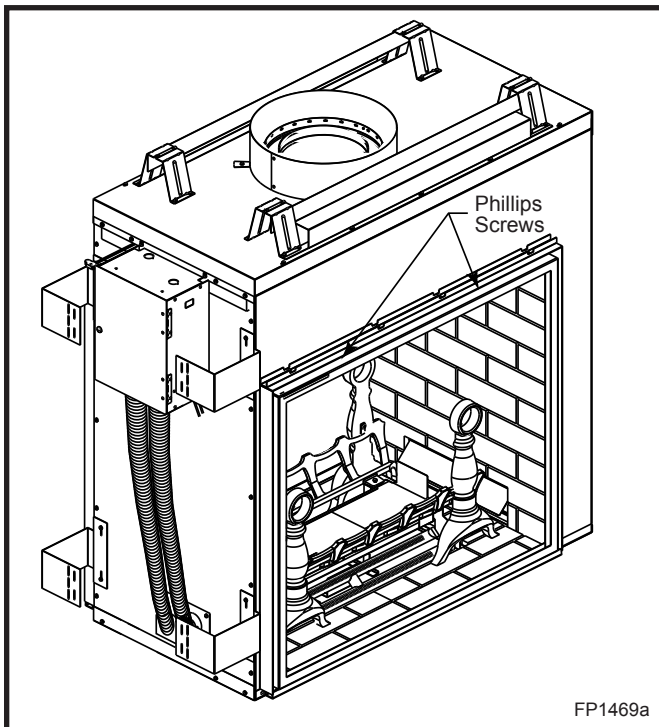


**Only glass approved by CFM Corporation should be used on this fireplace.**

- The use of any non-approved replacement glass will void all product warranties.
- Care must be taken to avoid breakage of the glass.
- **Do not operate appliance with glass front removed, cracked or broken.**
- **A replacement glass frame assembly (complete with gasket) is available through your CFM Corporation dealer and should only be installed by a licensed qualified service person.**

### Glass Frame Assembly Removal

1. Turn the fireplace OFF (including the pilot).
2. If the unit has been operating allow time for the components to cool.
3. Using a Phillips screwdriver, unfasten two (2) screws located at the top of the glass frame. (Fig. 38)
4. Tilt the glass frame at the top away from the unit. Lift it carefully off the bottom door track and set on padded surface.



**Fig. 38** Remove Phillips screws, tilt frame forward and lift off bottom door track.

### Glass Cleaning

It is necessary to periodically clean the glass. During start-up, condensation, which is normal, forms on the inside of the glass. This condensation causes lint, dust and other airborne particles to cling to the glass surface.

Also initial paint curing may deposit a slight film on the glass. It is therefore recommended the glass be cleaned two or three times with a non-ammonia based household cleaner and warm water (gas fireplace glass cleaner is recommended) within the first few weeks of operation.

After the initial cleaning process the glass should be cleaned two or three times during each operating season depending on the environment in the house.



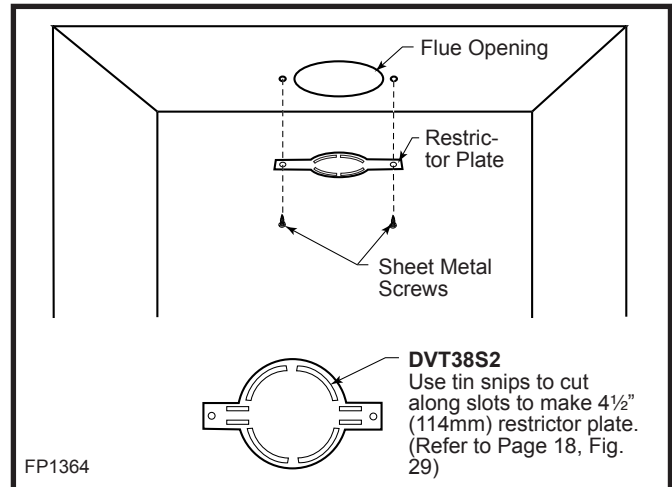
**Clean the glass after the first two weeks of operation.**

### Restrictor Plates Installation

Refer to Page 12 for your venting configuration and combination of restrictor plate requirement.

#### Restrictor Plate Installation

Using the two (2) screws provided along with the restrictor plate shipped with the logset, fasten the restrictor plate to the firebox top through the front of the unit. (Fig. 39)



**Fig. 39** Restrictor plate location.

## Ceramic Refractory Installation



The ceramic refractories are fragile and should be handled with care. Due to the size of the refractories, an assistant may be helpful.

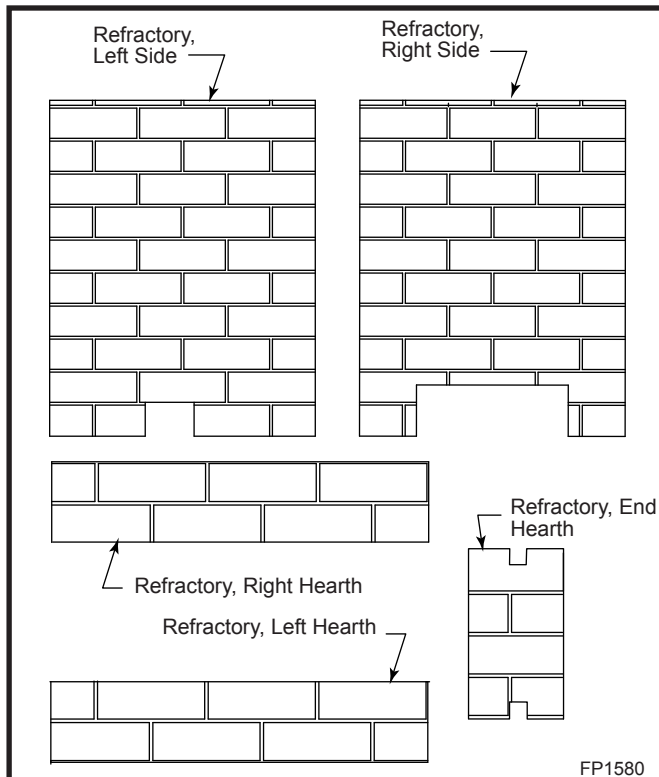


Fig. 40 Ceramic refractory panels.

1. Using a Robertson screwdriver, remove the two (2) nuts holding each fettle to the burner assembly.
2. Identify the side refractory. The refractory with the small cut out at the bottom must be installed on the side where the plumbing for the pilot and manifold are. The other side refractory has a larger cut out at the bottom. This is designed to allow the opening for the fresh air coming to the combustion chamber unobstructed. (Fig. 40)
3. Start with either the right side refractory or left side refractory. Hold the refractory at an angle. Slide and seat the bottom edge toward the bottom of the firebox. Tilt it carefully toward the side until the piece is in place. Using the two (2) brackets and four (4) screws provided with the refractory kit, fasten each bracket to the top of the firebox on each side. **NOTE:** Use existing holes in firebox.
4. Place the right and left hearth refractories at on each side of the burner tube assembly.
5. Install the end hearth refractories and align with the right and left hearth refractories already installed.
6. Reinstall the burner tube and fettle.

## Log, Lava Rock and Ember Placement

Unpack the logs from packaging and remove each log from its wrapping material.



The logs are fragile and should be handled with care. Keep the packaging materials out of the reach of children and dispose of the material in a safe manner.

**IMPORTANT:** Review these instructions and familiarize yourself with each log before beginning log placement. Find the notches, pins and indentations on each log. Follow the instructions closely, using the Log ID (Fig. 41) and the illustrations to assist in correctly placing each log.

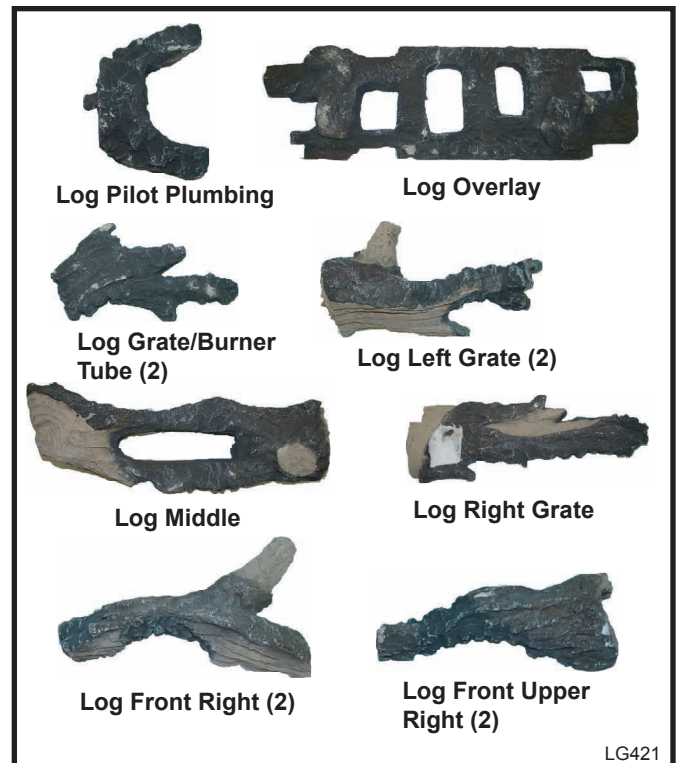
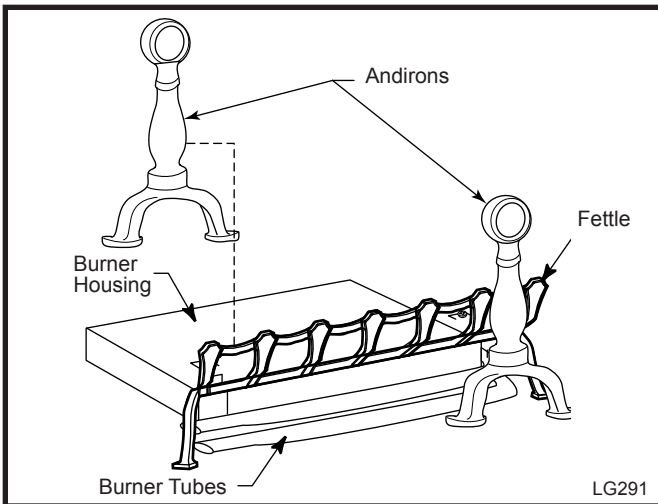


Fig. 41 DVT38S2 log identification.

1. Ensure the four (4) screws that attach the fettle to the burner are secure.
2. Set the andirons in place by hooking the tabs on the back of the andirons over the webs of the fettle. (Fig. 42) Repeat process for andirons on both sides of burner.
3. Place the volcanic rock over the lower refractory in front of each burner tube assembly and around the burner assembly as desired. (Fig. 43) Do not obstruct fresh air inlet with volcanic rock.

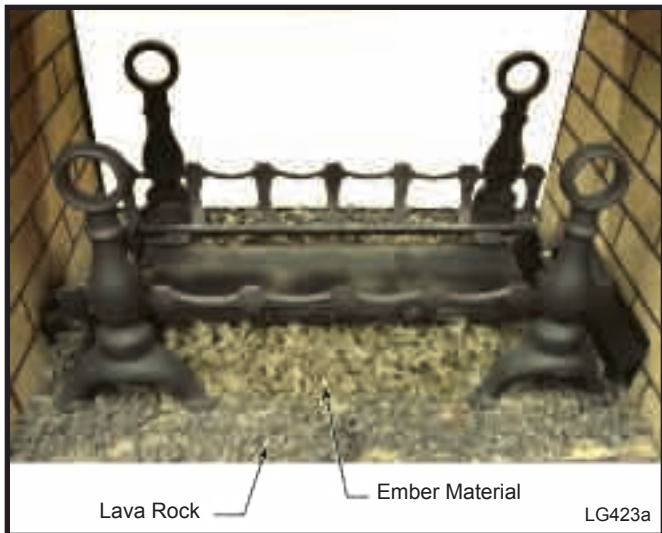




**Fig. 42** Ensure fettle is securely attached to the burner housing and set andirons in place.

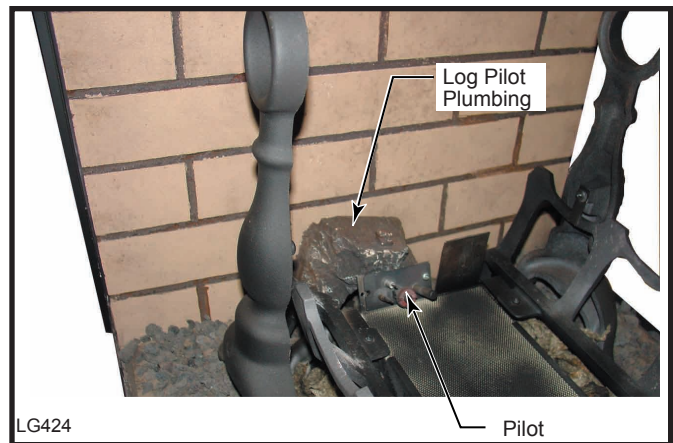
- Place the ember material **lightly**, between each burner tube assembly and the burner housing, between the joined burner tubes and in front over the burner tube and on top of burner tube.

**NOTE:** The ember material must be built up from the burner tubes to the burner housing fronts in order for the burner tubes to light properly.

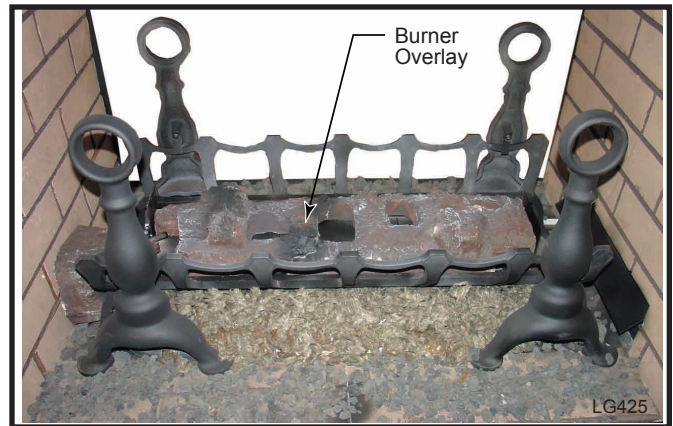


**Fig. 43** Lava rock and ember placement.

- Position the log pilot plumbing. (Fig. 44) Hold the log with the two (2) branches facing down and set it down over the pilot plumbing with the flat side of the log touching the side refractory.
- Position the log burner overlay. (Fig. 45) The overlay is very fragile and must be handled with extra care. Hold the overlay with the flat surface facing down. The notched corners of the overlay should be on the side of the pilot. Set the overlay on top of the burner housing and align it right to left over the burner housing. Make sure the overlay fits between the two (2) fittles.

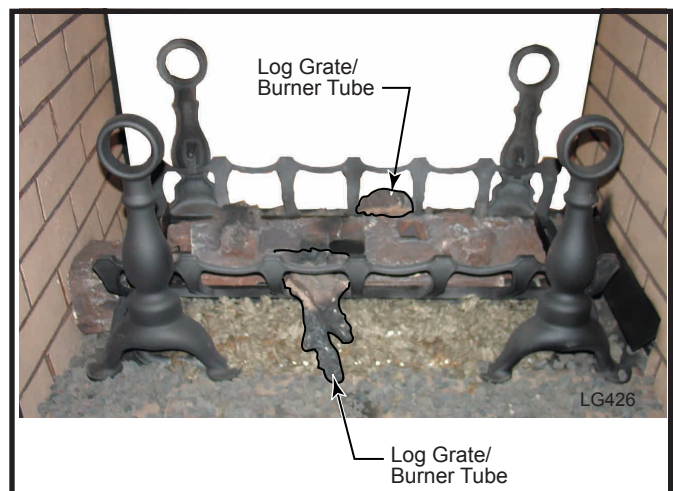


**Fig. 44** Position log pilot plumbing.



**Fig. 45** Position burner overlay. Notched corners are on the pilot side.

- Position the log grate/burner tube. (Fig. 46) Hold the log with the pointed end down and the flat surface away from you. Slide the wider end of the log at an angle in the third opening "middle" of the fettle. Hook the log on the fettle and set down over the burner tube assembly. Repeat the same procedure on the opposite side.



**Fig. 46** Position the log grate/burner tube.



8. Position the log left grate. (Fig. 47) Hold the log with your left hand with the pointed end toward the right and the flat surface facing down. Set the log on the inside of the fettle toward the left over the overlay and hook the branch and the pointed end of the log through the first and second opening on the fettle by using the second and third tine. When the log is in place, it will be sitting at an angle in the air above the overlay. Repeat this step for opposite side.

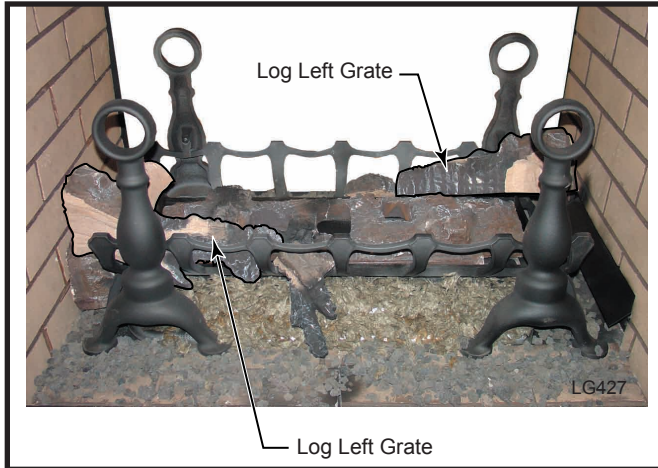


Fig. 47 Position log left grate.

9. Position the log middle. (Fig. 49) Familiarize yourself with notches located on the flat surface of the log on each end. (Fig. 48) These notches are utilized in positioning the log. Hold the log with the flat surface facing down and the burned out end closer to you.

**NOTE:** Position this log through the side with the control valve box on the left side. Set the log using the notches mentioned earlier located on the flat surface of the log and using the fourth "middle" tine on each fettle. When the log is in place, the notches located on the bottom of the log will set directly above the fourth "middle" tine on each fettle.

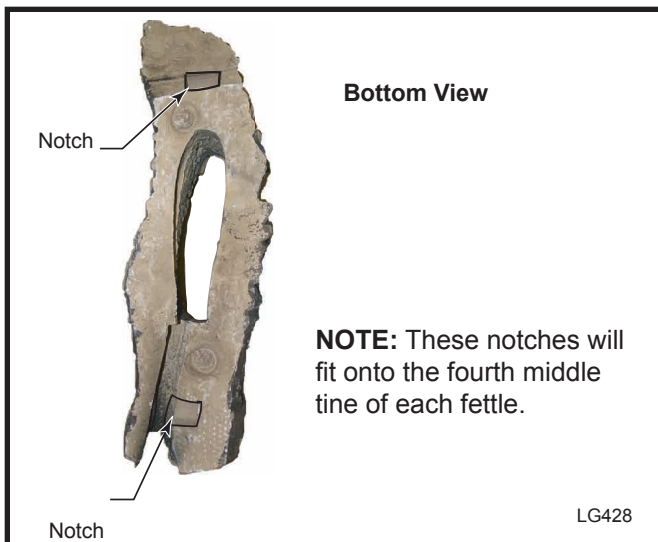


Fig. 48 Use notches on bottom side of log to set in place.

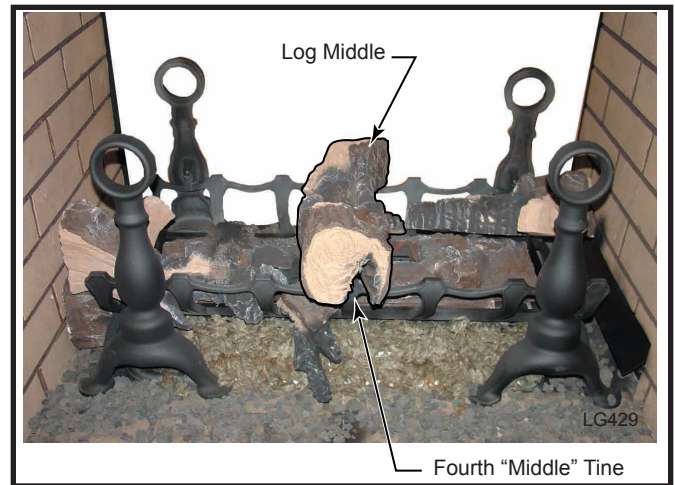


Fig. 49 Position log middle.

10. Position the log right grate. (Fig. 50) Hold the log with your right hand with the pointed end toward the left and the flat surface facing down. Hook the notch located on the right corner of the log through the first opening on the right hand side of the fettle using the first tine. Bring the log toward you until it comes in contact with the fettle. Then rest the pointed end over the middle log positioned in Step 9. Repeat this step for opposite side.

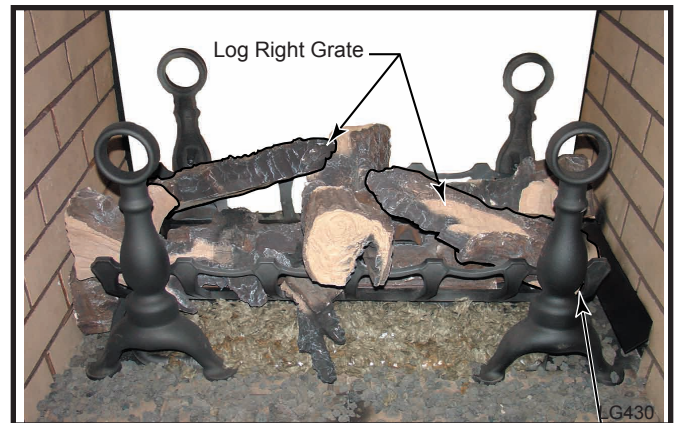


Fig. 50 Position log right grate.

11. Position the log front right. (Fig. 51) Hold the log with the two (2) branches toward you. Set the left branch on the inside of the second tine of the fettle and drop the right branch on the overlay behind the log positioned in Step 7. Lay the other end of the log over the notch located on the log positioned in Step 10. Make sure to clear the opening on the overlay when looking straight down.
12. Position the log front upper right. (Fig. 52) Hold the log with narrow end toward you. Set the narrow end over the flat notch on the log right grate positioned in Step 10. Lay the wide end of the logs over the branch on the log left grate positioned in Step 8.

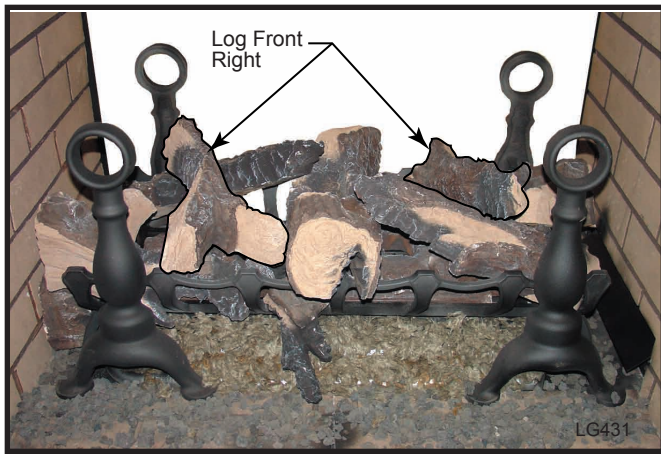


Fig. 51 Position log front right.

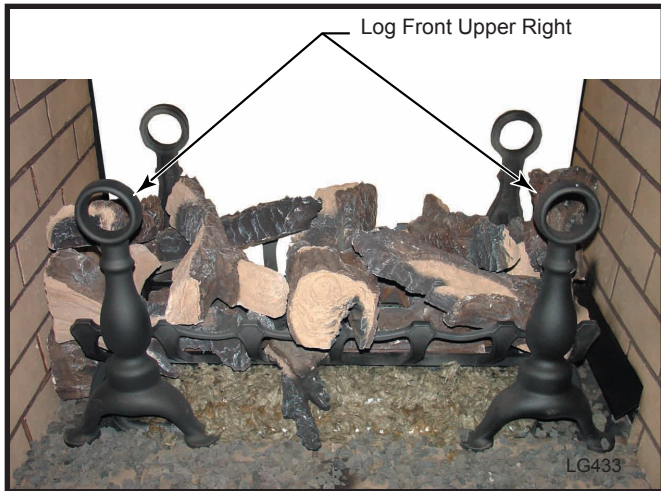


Fig. 52 Position log front upper right.

## Flame & Temperature Adjustment

### RN/RP & EN/EP Models

For units equipped with 'HI/LO' valves the flame adjustment is accomplished by rotating the 'HI/LO' adjustment knob located near the center of the gas control valve. (Fig. 53)

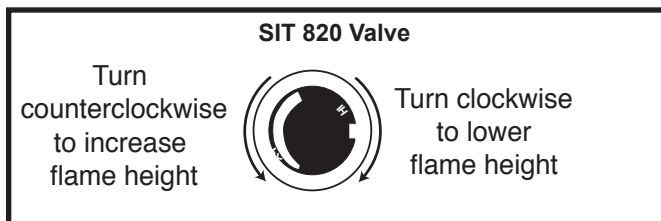


Fig. 53 Flame adjustment knob for SIT valve.

## Flame Characteristics

It is important to periodically perform a visual check of the pilot and burner flames. Compare them to Figures 54 and 55.

If the flame patterns appear abnormal contact a qualified service provider for service and adjustment.

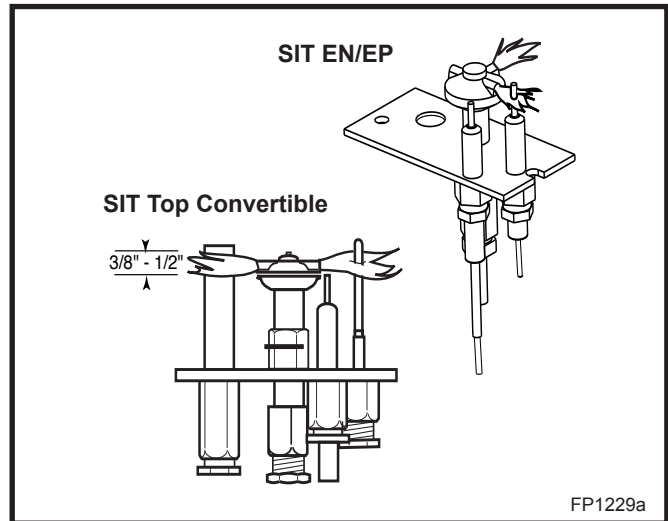


Fig. 54 Correct pilot flame appearance.



Fig. 55 Correct burner flame appearance.

## Trim Installation

**CAUTION:** Allow fireplace to cool if it has been in operation.

Trim components: 2 each, top frame assembly, bottom trim assembly, right and left trim assemblies.

**NOTE:** Only one trim set is used when Vista Door is installed.

**NOTE:** Place trim pieces with magnets facing window frame.

1. Place bottom trim on the bottom of the window frame. **NOTE:** Final adjustments will be made once all trim pieces are in place.
2. The right and left trim piece have a 45° notch on the back corner of the top end. (Fig. 56) Place the right trim against the right side of the window frame, making sure the bottom is overlapping the bottom trim piece. The right side of the trim should butt up against the right side nailing flange of the fireplace.
3. Place the left trim on the left side of the window frame as in Step 2.
4. Place the top trim piece so the ends overlap both the right and left side trim pieces.
5. Adjust the top trim so the top butts up against the top nailing flange and the sides are butted up against the side nailing flanges and the top trim. Once the top trims are in place, move the bottom trim up until it fits securely with the bottom of the side trims.
6. Repeat steps for other side of fireplace.

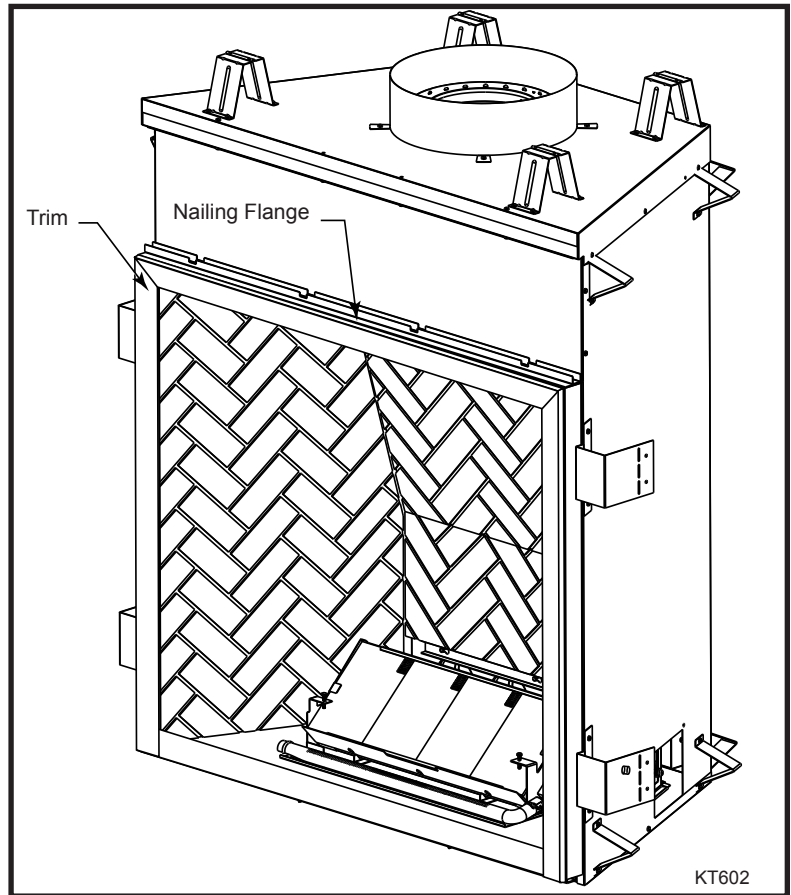


Fig. 57 Trim frame in place.

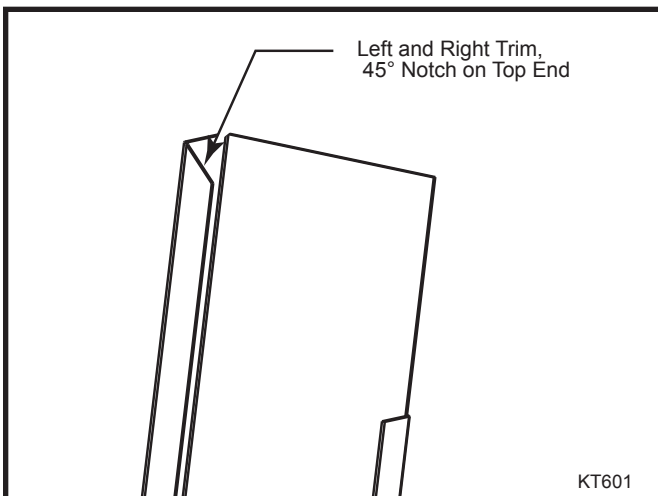


Fig. 56 The right and left trim pieces have a 45° notch on the back corner of the top end when properly installed.



# Lighting and Operating Instructions

## FOR YOUR SAFETY READ BEFORE LIGHTING

**WARNING: If you do not follow these instructions exactly, a fire or explosion may result causing property damage, personal injury or loss of life.**

- A. This appliance has a pilot which must be lit manually. When lighting the pilot follow these instructions exactly.
- B. BEFORE LIGHTING smell all around the heater area for gas. Be sure to smell next to the floor because some gas is heavier than air and will settle on the floor.

### WHAT TO DO IF YOU SMELL GAS

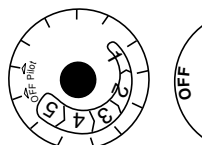
- Do not try to light any appliance
- Do not touch any electric switch
- Do not use any phone in your building
- Immediately call your gas supplier from a neighbor's phone. Follow the gas supplier's

### instructions.

- If you cannot reach your gas supplier, call the Fire Department
- C. Use only your hand to push in or turn the gas control knob. Never use tools. If the knob will not push in or turn by hand, do not try to repair it, call a qualified service technician. Force or attempted repair may result in a fire or explosion.
- D. Do not use this appliance if any part has been under water. Immediately call a qualified service technician to inspect the heater and to replace any part of the control system and any gas control which has been under water.

## Lighting Instructions

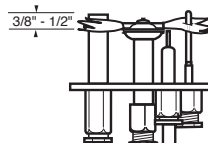
1. **STOP!** Read the "For Your Safety" information first and locate the control panel before lighting.
2. For TN/TP appliances ONLY, go on to Step 3. For RN/RP appliances turn the ON/OFF switch to OFF position or set thermostat to lowest setting.
3. Push in gas control knob slightly and turn to "OFF" position. Do not force.



SIT NOVA

4. Wait five (5) minutes to clear out any gas. Then smell for gas, including near the floor. If you smell gas, STOP! Follow "What to do if you smell gas" in your "For your safety". If you do not smell gas, go to the next step.
5. Remove glass door before lighting pilot. (See Glass Frame Removal section).
6. Visually locate pilot assembly by the main burner.

7. Turn knob on gas control to "PILOT".
8. Push in control knob all the way and hold in until pilot indicator pointer moves from green to red (pilot is on). If the pointer does not move to red after several attempt, repeat Steps 3 to 7. When



pointer moves to red, hold control knob in for about one (1) minute. release knob and it will pop back into original position. Pilot should remain lit. If it goes out, repeat Steps 3 to 7.

- If knob does not pop up when released, stop and immediately call your service technician or gas supplier.
  - If after several tries, the pilot will not stay lit, turn the gas control knob to "OFF" and call your service technician or gas supplier.
9. Replace glass door.
  10. Turn gas control knob to "ON" position.
  11. For RN/RP appliances turn the On/Off switch to "ON" position or set thermostat to desired setting.

## To Turn Off Gas To Heater

1. Turn the On/Off switch to Off position or set the thermostat to lowest setting.
2. Turn off all electric power to the fireplace if service is to be performed.
3. Open control access panel.
4. Push in gas control knob slightly and turn clockwise to "OFF". Do not force.
5. Close control access panel.

## Lighting and Operating Instructions

For Fireplaces equipped with SIT822 Gas Valve (EN or EP)

**Warning:** If you do not follow these instructions exactly, a fire or explosion may result causing property damage, personal injury and loss of life.

### FOR YOUR SAFETY READ THE FOLLOWING WARNINGS BEFORE LIGHTING THE APPLIANCE

- A. This fireplace is equipped with an ignition device which automatically lights the pilot. **DO NOT** try to light the pilot by hand.
- B. **BEFORE OPERATING**, smell all around the appliance area for gas. Be sure to smell next to the floor because some gas is heavier than the air and will settle on the floor.

**What to do if you smell gas**

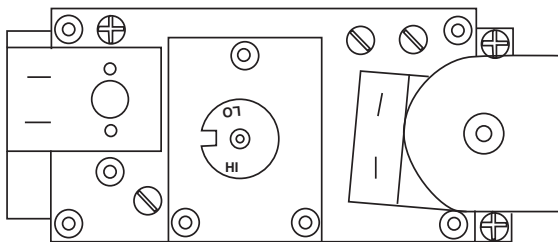
- **Do not try to light any appliance**
- **Do not operate any electrical switch.**
- **Do not use any phone in your building.**
- **Immediately call your gas supplier from a neighbor's phone.**

**Follow the gas suppliers instructions.**

- **If you cannot contact your gas supplier call the Fire Department**
- C. Use only your hand to push in or turn the gas control knob. Never use tools. If the knob will not push in or turn by hand do not try to repair it, call a qualified service technician. Force or attempting repair may result in a fire or explosion.
- D. Do not use this appliance if any part has been under water. Immediately call a qualified service technician to inspect the appliance and replace any part of the control system and any gas control that has been under water.

### Lighting Instructions

1. **STOP!** Read the safety information above and locate the control panel before continuing.
2. Turn off all electrical power to the appliance.
3. This appliance is equipped with an ignition device which automatically lights the pilot. **DO NOT** try to light the pilot by hand.
4. Access the gas control by lowering the lower access door (louvre assembly).

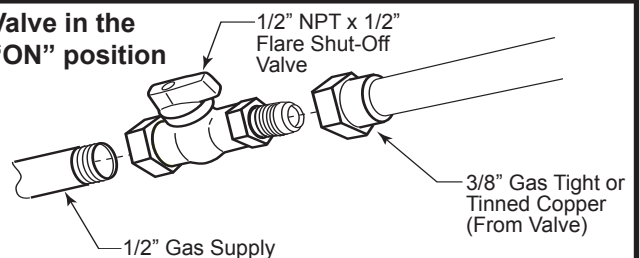


5. Turn the remote switch, if used, OFF. Turn the wireless remote, if used, OFF.
6. Wait five (5) minutes to clear out any gas. Then smell for gas, including near the floor. If you smell gas STOP. Follow instructions B in the safety warnings above. If you do not smell gas go onto the next step.
7. Close the access door.
8. Turn ON all electrical power to the appliance.
9. Turn remote switch or wireless remote to "ON".
10. If the appliance will not operate, follow the instructions TURNING OFF THE GAS TO THE APPLIANCE and call your service technician or gas supplier.

### Turning Off the Gas to the Appliance

1. Turn the remote switch to the "OFF" position.
2. Turn OFF all electrical power to the fireplace if service is required.
3. Open the lower access panel.
4. Turn the shut-off valve on the gas line to the "OFF" position.

Valve in the "ON" position





## Troubleshooting the Gas Control System

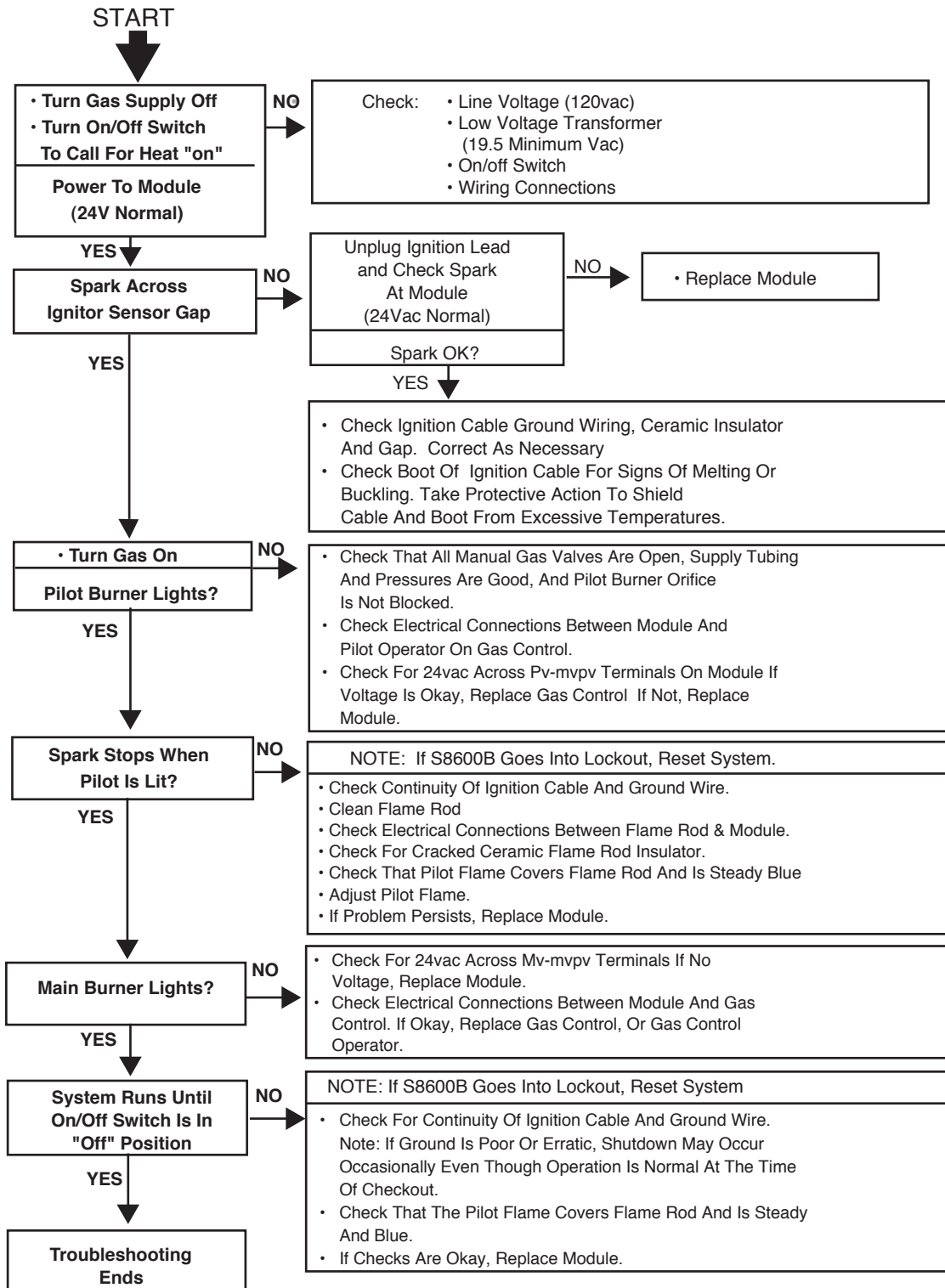
### SIT NOVA 820 MILLIVOLT VALVE

**NOTE:** Before trouble shooting the gas control system, be sure external gas shut off is in the “On” position.

Symptom	Possible Causes	Corrective Action
1. Spark ignitor will not light	A. Defective or misaligned electrode at pilot	Using a match, light pilot. If pilot lights, turn off pilot and push the red button again. If pilot will not light - check gap at electrode and pilot-should be 1/8” to have a strong spark.
	B. Defective ignitor (Push Button)	With the control knob in the pilot position, push the control knob all the way and hold. Check for spark at electrode and pilot. If no spark to pilot, and electrode wire is properly connected, replace the battery in the ignitor module and try again. Refer to Maintenance Section. If the problem still exists, replace the ignitor module box.
2. Pilot will not stay lit after carefully following lighting instructions	A. Defective pilot generator (thermocouple), remote wall switch	Check pilot flame. Must impinge on thermocouple/thermopile. NOTE: This pilot burner assembly utilizes both a thermocouple and a thermopile. The thermocouple operates the main valve operation (On and Off). Clean and or adjust pilot for maximum flame impingement on thermopile and thermocouple.
	B. Defective automatic valve	Turn valve knob to “Pilot”. Maintain flow to pilot; millivolt meter should read greater than 10mV. If the reading is okay and the pilot does not stay on, replace the gas valve. NOTE: An interrupter block (not supplied) must be used to conduct this test.
3. Pilot burning, no gas to main burner	A. Wall switch or wires defective	Check wall switch and wires for proper connections. Jumper wire across terminals at wall switch, if burner comes on, replace defective wall switch.. If okay, jumper wires across wall switch wires at valve, if burner comes on, wires are faulty or connections are bad.
	B. Thermopile may not be generating sufficient millivoltage	<ol style="list-style-type: none"> <li>1. Be sure wire connections form thermopile at gas valve terminals are tight and thermopile is fully inserted into pilot bracket.</li> <li>2. One of the wall switch wires may be grounded. Remove wall switch wires form valve terminals if pilot now stays lit, trace wall switch wiring for ground. May be grounded to fireplace or gas supply.</li> <li>3. Check thermopile with millivolt meter. Take reading at thermopile terminals of gas valve. Should read 250-300 millivolts (minimum 150) while holding valve knob depressed in pilot position and wall switch “Off”. Replace faulty thermopile if reading is below specified minimum.</li> </ol>
	C. Plugged burner orifice	Check burner orifices for debris and remove.
	D. Defective automatic valve operator	Turn valve knob to “On”, place wall switch to “On” millivolt meter should read greater than 150mV. If the reading is okay and the burner does not come on, replace the gas valve.
4. Frequent pilot outage problem	A. Pilot flame may be too low or blowing (high) causing the pilot safety to drop out	Clean and/or adjust pilot flame for maximum flame impingement on thermopile and thermocouple.
	B. Possible blockage of the vent terminal	Check the vent terminal for blockage (recycling the flue gases).

## Troubleshooting the Gas Control System

### SIT 822 Valve with a Honeywell Electronic Ignitor



## Fuel Conversion Instructions

**WARNING!** This conversion kit shall be installed by a qualified service agency in accordance with the manufacturer's instructions and all applicable codes and requirements of the authority having jurisdiction. If the information in these instructions is not followed exactly, a fire, explosion or production of carbon monoxide may result causing property damage, personal injury or loss of life. The qualified service agency is responsible for the proper installation of this kit. The installation is not proper and complete until the operation of the converted appliance is checked as specified in the manufacturer's instructions supplied with the kit.

**CAUTION:** The gas supply shall be shut off prior to disconnecting the electrical power, before proceeding with the conversion.

**Avertissement:** Cette trousse de conversion Ne doit être installée que par le représentant d'un organisme qualifié et conformément aux instructions du fabricant et aux codes et exigences pertinentes de l'autorité compétente. Quiconque ne respecte pas à la lettre les instructions du présent guide risque de déclencher un incendie, une explosion ou le dégagement de monoxyde de carbone entraînant des dommages matériels, des lésions corporelles ou la perte de vies humaines. L'organisme qualifié qui effectue les travaux est responsable de l'installation de cette trousse. L'installation n'est pas terminée tant que le fonctionnement de l'appareil converti n'a pas été vérifié selon la notice du fabricant qui accompagne la trousse.

**ATTENTION:** Avant d'effectuer la conversion, coupez d'abord l'alimentation en gaz, ensuite, coupez l'alimentation électrique.

### Conversion Precautions

Allow unit to cool if it has been operating.

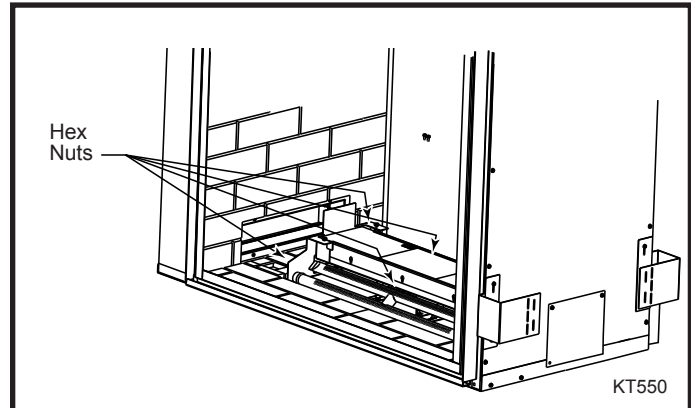
Before proceeding with conversion, turn control knob on valve to OFF and turn gas supply OFF. Turn OFF any electricity that may be going to appliance.

### Conversion Procedure

1. Remove glass frame. Refer to Glass Frame Assembly section on Page 22.
2. Remove lava rock, volcanic rock, embers and logs.  
**CAUTION: Logs may be hot.**
3. With a Phillips or Robertson screwdriver, remove the four (4) screws holding the fettle to the burner assemblies. With a 3/8" hex head, remove the two (2) hex

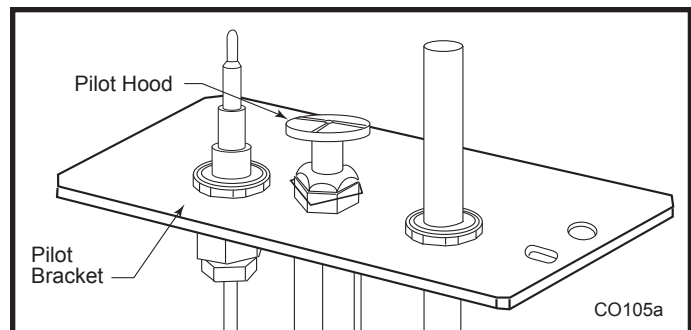
nuts holding each burner tube assembly to the base pan assembly on both sides. Remove the burner tube assemblies.

4. Remove two (2) hex nuts holding the left burner leg. Remove burner leg. (Fig. 58)

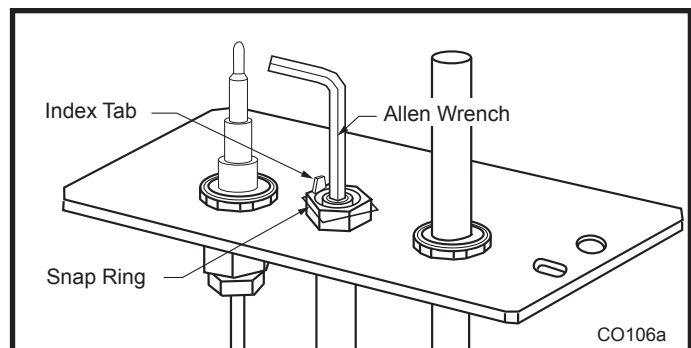


**Fig. 58** Use 3/8" socket to remove hex nuts holding burner legs.

5. Slide the burner housing assembly to the left and away.
6. Replace the four (4) injectors. Refer to Table 1.
7. Replace pilot orifice.
8. Remove pilot hood by lifting up. (Fig. 59) **NOTE:** It is not necessary to remove the pilot tube for conversion.
9. Remove pilot orifice with 5/32" Allen wrench. (Fig. 60)



**Fig. 59** Remove pilot hood.



**Fig. 60** Remove pilot orifice.

10. Install the conversion orifice.
11. Reinstall pilot hood. Be sure to align hood with index tab.
12. Open the control panel and remove the cover by removing two (2) screws. While holding the valve cover plate with one hand, disconnect the wiring to the switch and the pilot indicator. **NOTE:** Do not allow the valve cover plate to hang from the pilot wires as this could damage the wires. Remove the extension knob(s). Replace the valve regulator.
13. Using the TORX T20 bit remove and discard the three (3) pressure regulator mounting screws (A), pressure regulator tower (B) and the spring and diaphragm assembly (C). (Fig. 61)

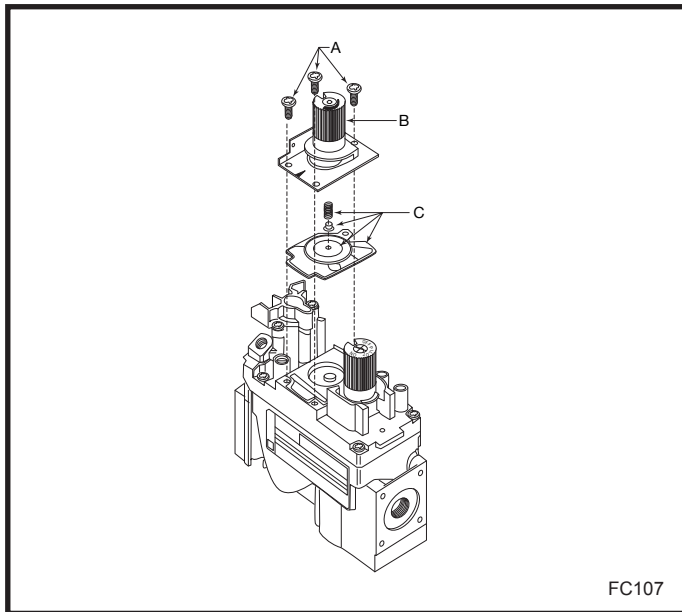


Fig. 61 Remove valve regulator.

14. Insure the rubber gasket (D) is properly positioned and install the new HI/LO pressure regulator assembly to the valve using the new screws (E) supplied with the kit. Tighten the screws securely. (Ref. torque = in/lb) (Fig. 62)
15. Install the enclosed identification label (F) to the valve body where it can easily be seen. (Fig. 62)
16. Regulator conversion complete.
17. Test for Leaks
  - Apply gas to the system and light the pilot.
  - With a soapy solution check for leaks around the pilot assembly where the tube enters the pilot assembly. Tighten fitting if necessary.

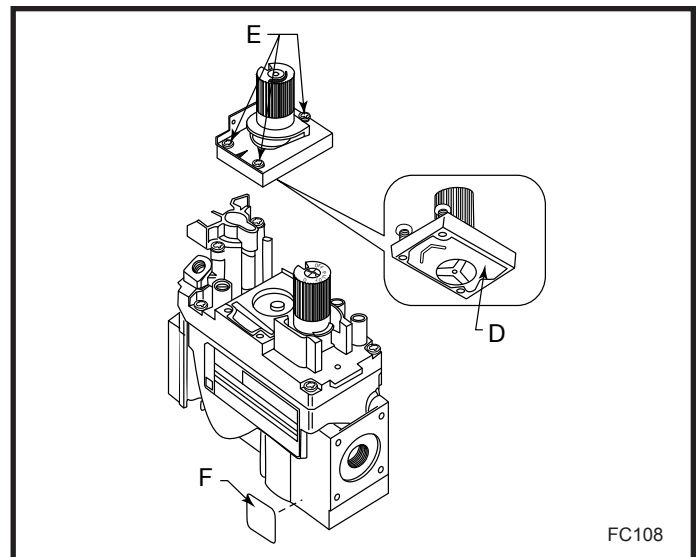


Fig. 62 Replace regulator.

- Light the main burner and check for leaks around the new pressure regulator assembly. Tighten screws if necessary.
  - With the main burner "ON" check for leaks around the burner orifice. Be careful of the burner flame. Tighten orifice if necessary.
  - With the main burner "ON" rotate the HI/LO knob and verify proper burner operation.
18. Replace burner to original position.
  19. Replace burner leg.
  20. Replace burner tube and fettle.
  21. Follow instructions on Page 23 to reinstall logs, lava rock, volcanic rock and embers.
  22. Replace glass frame.
- Conversion complete.

### Pilot Flame Adjustment

Typically, the top 3/8" or 1/2" of the thermopile should be engulfed in the pilot flame. (Page 26, Fig. 54)

To adjust pilot burner:

1. Remove pilot adjustment cap located on valve.
2. Adjust pilot screw to provide properly sized flame.
3. Replace pilot adjustment cap.

**Table 1 Injector Orifice Size Matrix**

Conversion to Natural Gas										
Kit # 20009164 Model	Burner Housing Part #	Burner Housing/ Pilot* Part #	Burner Tube Part #	Burner Tube Part #	Burner Tube Part #	Burner Tube Part #	Input (BTU/hr)			
							Min.	Max.		
DVT38S2RP/EP	#38 (.1015")	20009310	#38 (.1015")	20009310	#45 (.082")	20010169 (.082")	#45	20010169	45,000	56,000

Conversion to LP										
Kit # 20009162 Model	Burner Housing Part #	Burner Housing/ Pilot* Part #	Burner Tube Part #	Burner Tube Part #	Burner Tube Part #	Burner Tube Part #	Input (BTU/hr)			
							Min.	Max.		
DVT38S2RN/EN	#55 (.052")	30000333	#54 (.055")	20000130	#57 (.043")	20004587	#57 (.043")	20004587	38,000	56,000

## Maintenance

### Burner and Burner Compartment

It is important to keep the burner and the burner compartment clean. At least once per year the logs and lava rock/ember material should be removed and the burner compartment vacuumed and wiped out. Remove and refit the logs as per the instructions in this manual.



**Always handle the logs with care as they are fragile and may also be hot if the fireplace has been in use.**

### Cleaning the Standing Pilot Control System

The burner and control system consist of:

- burner tube
- gas orifice
- pilot assembly
- thermopile
- gas valve

Most of these components may require only an occasional checkup and cleaning and some may require adjustment. **If repair is necessary, it should be performed by a qualified technician.**

1. Turn off pilot light at gas valve.
2. Allow fireplace to cool if it has been operating.
3. Remove window frame assembly. (Refer to Window Frame Assembly Removal section.)
4. Remove logs.
5. Vacuum burner compartment especially around orifice primary air openings.
6. Visually inspect pilot. Brush or blow away any dust or lint accumulation.
7. Reinstall logs.
8. Ignite pilot - Refer to Lighting Instructions.
9. Reinstall window frame assembly.

To obtain proper operation, it is imperative that the pilot and burner's flame characteristics are steady, not lifting or floating.

Typically, the top 3/8" to 1/2" of the thermopile/sensing electrode should be engulfed in the pilot flame. (Refer to Page 26, Figure 54)

To adjust pilot burner: (by qualified service technician)

1. Remove pilot adjustment cap
2. Adjust pilot screw to provide properly sized flame.
3. Replace pilot adjustment cap.

### Cleaning Electronic Ignition System

The Electronic Ignition burner/control system consists of:

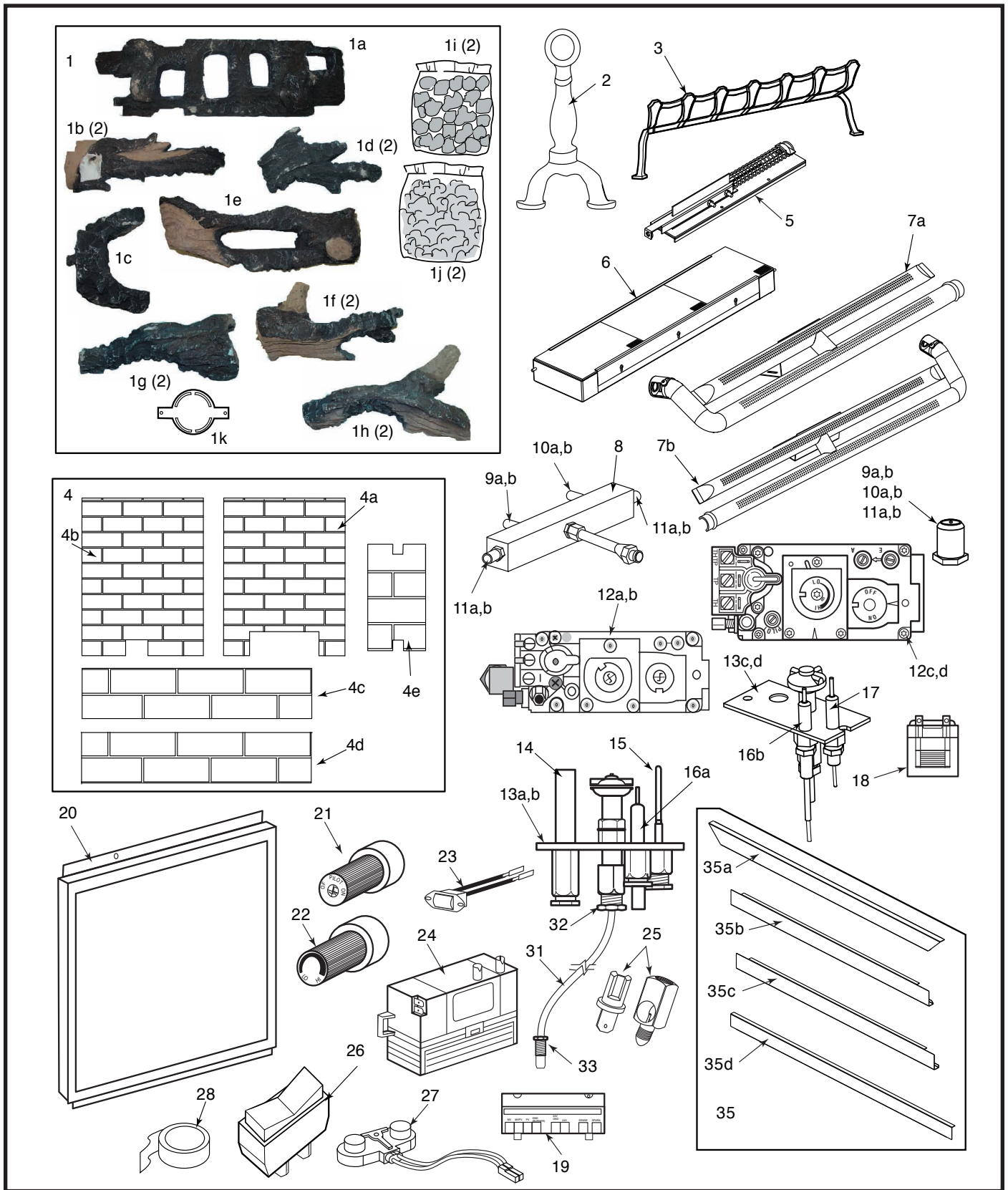
- main burner
- gas orifice
- pilot burner
- 24VAC valve with transformer

Taking care of the Electronic Ignition units is identical to taking care of the Standing Pilot models.

### Battery Replacement for Ignitor Module

1. Open control panel box door.
2. Remove the extension knob(s).
3. Remove the valve cover by removing the two (2) screws securing the valve cover plate to the box. While holding the valve cover plate with one hand, disconnect the wiring to the switch and the pilot indicator. **NOTE:** Do not allow the valve cover plate to hang from the pilot indicator wires as this could damage the wires.
4. Replace the battery (AA) in the ignitor module located at the top left corner.
5. Replace wires, valve cover, extension knob(s) in reverse order. **NOTE:** The pilot indicator body is labelled +/-, make sure the positive wire on the pilot indicator goes to ground and the negative goes to the plug between the valve and the thermocouple.





CFM Corporation reserves the right to make changes in design, materials, specifications, prices and discontinue colors and products at any time, without notice.

# DVT38S2 Decorative Gas Appliance

**DVT38S2 (continued)**

Ref.	Description	DVT38S2
1.	Log Set (Complete)	20009521
1a.	Log Overlay F26	20009483
1b.	Log Right Grate F27 (2 per fireplace)	20009484
1c.	Log Pilot Plumbing F28	20009485
1d.	Log Grate/Burner Tube F29 (2 per fireplace)	20009486
1e.	Log Middle F30	20009487
1f.	Log Left Grate F31 (2 per fireplace)	20009488
1g.	Log Front Upper Right F15 (2 per fireplace)	20009135
1h.	Log Front Right F16 (2 per fireplace)	20009136
1i.	Volcanic Rock (2 per fireplace)	20000376
1j.	Bag of Glowing Embers (2 per fireplace)	0005219
1k.	Restrictor	20005817
2.	Andiron Assembly (4 per fireplace)	20009144
3.	Fettle (2 per fireplace)	20005977
4.	Refractory Set Complete (CR Kit DVT38S2)	20009520
4a.	Refractory, Right Side	20007160
4b.	Refractory, Left Side	20007161
4c.	Refractory, Right Hearth (2 per fireplace)	20009491
4d.	Refractory, Left Hearth (2 per fireplace)	20009492
4e.	Refractory, End Hearth (2 per fireplace)	20009493
4f.	Hardware Kit (not shown)	20007576
5.	Spring Latch Assembly	20005788
6.	Burner Housing Assembly	20009392
7a.	Burner	20009311
7b.	Burner Tube Assembly - Pilot Side	20009308
8.	Manifold Tube Assembly	20009282
9a.	Burner Housing Orifice - #55 - LP	30000333
9b.	Burner Housing Orifice - #38 - Natural	20009310
10a.	Burner Housing/Pilot Orifice - #54 - LP	20000130
10b.	Burner Housing/Pilot Orifice - #38 - Natural	20009310
11a.	Burner Tube Orifice - #57 - LP (2 per fireplace)	20004587
11b.	Burner Tube Orifice - #45 - Natural (2 per fireplace)	20010169
12a.	Valve Nova SIT 0.820.652 - RN	52677
12b.	Valve Nova SIT 0.820.651 - RP	52678
12c.	Valve Nova SIT 0.822.632 - EN 24v/60Hz Solenoid Manual HI/LO	57884
12d.	Valve Nova SIT 0.822.631 - EP 24v/60Hz Solenoid Manual HI/LO	57883
13a.	Pilot Assy 3way N/DV Top Convertible - RN	20006144
13b.	Pilot Assy 3way N/DV Top Convertible - RP	20006145
13c.	Pilot Assy 3way N/DV Top Convertible - EN	20006146
13d.	Pilot Assy 3way N/DV Top Convertible - EP	20006147
14.	Thermopile 72"	20006148
15.	Thermocouple 75"	20006149
16a.	Electrode Ignitor 79" RN/RP	20006150
16b.	Electrode Ignitor 79" EN/EP	20008059
17.	Sensing Electrode 79"	20006151
18.	Transformer	7522409
19.	Ignitor Module Honeywell 58600B1025	20000005

**DVT38S2 (continued)**

<b>Ref.</b>	<b>Description</b>	<b>DVT38</b>
20.	Glass Frame Assembly (2 per fireplace)	20009215
21.	Knob Extension Pilot/Stat	10000166
22.	Knob Extension HI/LO	10000165
23.	Pilot Indicator	20005908
24.	Ignitor Module	20005909
25.	Pilot Indicator Plug	20006250
26.	Switch Rocker	53606
27.	Spark Cable Connection	20005807
28.	Outer Pipe Aluminum Foil Tape	20006169
29.	Milpack Tube (not shown)	53326
30.	Screw #1/4-20 x 1.5 Black Pan Quad (Glass Frame Screw)	20006471
31.	Tube, Pilot 1/4" OD x 76" Long	20008828
32.	1/4" Shear-off Nut for Pilot Connection	20009102
33.	1/4" Shear-off Nut for Valve Connection	20009979
34.	Cement Rutland (not shown)	30000524T
35.	Trim Kit Complete (2 per fireplace)	20010894
35a.	Top Trim (2 per fireplace)	20010901
35b.	Right Side Trim (2 per fireplace)	20010902
35c.	Left Side Trim (2 per fireplace)	20010903
35d.	Bottom Trim (2 per fireplace)	20010904

**Fuel Conversion Kits**

Conversion Kit, NG to LP

DVT38S2RN &amp; EN Kit # 20009162

Conversion Kit, LP to NG

DVT38S2RP &amp; EP Kit # 20009164

## Accessories

### Remote Controls

Optional remote control units are available to control different functions of the appliance.

Model	Function(s) Controlled
RC1	On/Off
RC2	On/Off and Temperature
IMTFK	Wall-mounted Thermostat Control (For use in Canada ONLY)

### Full Surround Mantel

The Chateau Full Surround has been designed for installation with the DVT38S2 Chateau fireplace. Hinged face panels on the surround allow access to the fireplace control box and gas valve. Accurate framing of the fireplace is critical to proper installation.

Refer to the instructions supplied with the Surround for complete details.

**CAUTION:** If you are framing with the plan to use the surround mantel mentioned above, it is extremely critical to meet the dimensions provided, especially if the mantel is not available at the time of framing.

**NOTE:** In the event the mantel is not available at the time of framing the unit/valve box, you must make the spacer on the left side of the valve box in order to access the valve box door through the opening in the mantel.

Full Surround Mantel Models:

CHFN049S  
CHFWC49S  
CHFPR49S

**NOTE:** The vertical dimension is shown from the floor where the fireplace sits. If a marble hearth extension, or other type of material is used, the vertical framing will increase by the thickness of the material used to accommodate the height difference when the mantel sits on the hearth extension.

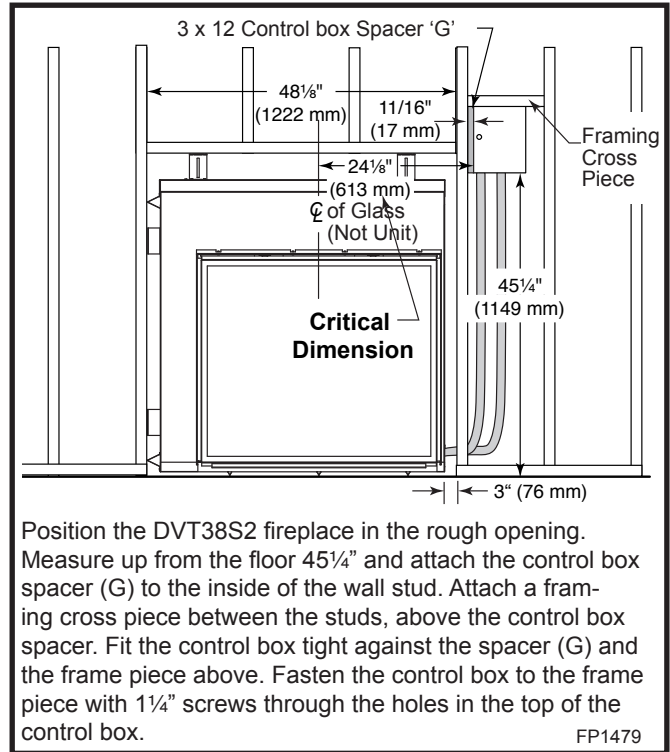


Fig. 63 Chateau Full Surround Mantel framing.

**CAUTION:** If you are framing with the plan to use the CHFN049S, CHWC49S, CHFPR49S surround mantel, it is extremely critical to meet the dimensions provided, especially if the mantel is not available at the time of framing. **A framing stud is allowed to be placed on the inside of the 6" (152 mm) standoff on the side of the unit where the conduit is located to meet the 24 1/8" (613 mm) critical dimension from the center of the unit.**

The unit is certified with a 3" (76 mm) standoff (to combustible) on the side of the unit where the conduit is located, therefore; it is permissible to locate stud on the inside of the standoff at 3" (76 mm) from the body of the unit. (Fig. 63)

**NOTE:** The 6" (152 mm) standoff is sent out with the unit for the purpose of making the glass symmetrical with respect to the overall width of the unit.

# LIMITED LIFETIME WARRANTY

## PRODUCT COVERED BY THIS WARRANTY

All Vermont Castings gas stoves, gas inserts, and gas fireplaces, and all Majestic or Northern Flame brand gas fireplaces equipped with an Insta-Flame Ceramic Burner, or standard steel tube burner.

### BASIC WARRANTY

CFM Corporation (hereinafter referred to collectively as the Company) warrants that your new Vermont Castings or Majestic Gas Fireplace/Stove is free from manufacturing and material defects for a period of one year from the date of purchase, subject to the following conditions and limitations.

### EXTENDED LIFETIME WARRANTY

The heat exchanger, where applicable, and combustion chamber of every Vermont Castings or Majestic gas product is warranted for life against through wall perforation. All appliances equipped with an Insta-Flame Ceramic Burner have limited lifetime coverage on the ceramic burner plaque. Warrantees are made to the original owner subject to proof of purchase and the conditions and limitations listed on this Warranty Document

### COMPONENT WARRANTY

**CAST IRON:** All external and internal cast iron parts are warranted for a period of three years.

**Note:** On porcelain enamel finished external parts and accessories The Company offers no Warranty on chipping of enamel surfaces. Inspect all product prior to accepting it for any damage to the enamel.

The salt air environment of coastal areas or a high humidity environment can be corrosive to the porcelain enamel finish. These conditions can cause rusting of the cast iron beneath the porcelain enamel finish, which will cause the finish to flake off.

Dye lot variations with replacement parts and/or accessories can occur and are not covered by warranty.

**GLASS DOORS:** Glass doors are covered for a period of one year. Glass doors are not warranted for breakage due to misuse or accident. Glass doors are not covered for discoloration or burned in stains due to environmental issues, or improper cleaning and maintenance.

**BRASS PLATED PARTS AND ACCESSORIES:** Brass parts should be cleaned with Lemon oil only. Brass cleaners cannot be used. Mortar mix and masonry cleaners may corrode the brass finish. The Company will not be responsible for, nor will it warrant any brass parts which are damaged by external chemicals or down draft conditions.

**GAS VALVES:** Gas valves are covered for a period of one year

**ELECTRONIC AND MECHANICAL COMPONENTS:** Electronic and mechanical components of the burner assembly are covered for one year. All steel tube burners are warranted for one year.

**ACCESSORIES:** Unless otherwise noted all components and CFM Corporation company supplied accessories are covered for a period of one year.

### CONDITIONS AND LIMITATIONS

- This new Vermont Castings or Majestic product must be installed by a competent, authorized, service contractor. A licensed technician, as prescribed by the local jurisdiction must perform any installation/service work. It must be installed and operated at all times in accordance with the Installation and Operating instructions furnished with the product. Any alteration, willful abuse, accident, or misuse of the product shall nullify this warranty.
- This warranty is non-transferable, and is made to the original owner, provided that the purchase was made through an authorized supplier of the Company.
- The customer must pay for any Authorized Dealer in-home travel fees or service charges for in-home repair work. It is the dealers option whether the repair work will be done in the customer's home or in the dealer's shop.
- If upon inspection, the damage is found to be the fault of the manufacturer, repairs will be authorized at no charge to the customer parts and/or labor.

- Any part and/or component replaced under the provisions of this warranty is covered for six months or the remainder of the original warranty, whichever is longest.
- This warranty is limited to the repair of or replacement of part(s) found to be defective in material or workmanship, provided that such part(s) have been subjected to normal conditions of use and service, after said defect is confirmed by the Company's inspection.
- The company may, at its discretion, fully discharge all obligations with respect to this warranty by refunding the wholesale price of the defective part(s)
- Any installation, labor, construction, transportation, or other related costs/expenses arising from defective part(s), repair, replacement, or otherwise of same, will not be covered by this warranty, nor shall the Company assume responsibility for same. Further, the Company will not be responsible for any incidental, indirect, or consequential damages except as provided by law.
- SOME STATES DO NOT ALLOW FOR THE EXCLUSION OR LIMITATIONS OF INCIDENTAL AND CONSEQUENTIAL DAMAGES OR LIMITATIONS ON HOW LONG AN IMPLIED WARRANTY LASTS, SO THE ABOVE LIMITATIONS MAY NOT APPLY TO YOUR CIRCUMSTANCES. THIS WARRANTY GIVES YOU SPECIFIC RIGHTS AND YOU MAY HAVE OTHER RIGHTS WHICH VARY FROM STATE TO STATE.
- All other warranties-expressed or implied- with respect to the product, its components and accessories, or any obligations/liabilities on the part of the Company are hereby expressly excluded.
- The Company neither assumes, nor authorizes any third party to assume on its behalf, any other liabilities with respect to the sale of this Vermont Castings or Majestic product
- The warranties as outlined within this document do not apply to chimney components or other non CFM Corporation accessories used in conjunction with the installation of this product..
- Damage to the unit while in transit is not covered by this warranty but is subject to claim against the common carrier. Contact the dealer from whom you purchased your fireplace/stove (do not operate the appliance as this might negate the ability to process the claim with the carrier).
- The Company will not be responsible for:
  - a) Down drafts or spillage caused by environmental conditions such as near-by trees, buildings, roof tops, hills, or mountains.
  - b) Inadequate ventilation or negative air pressure caused by mechanical systems such as furnaces, fans, clothes dryers, etc.
- This warranty is void if:
  - a) The fireplace has been operated in atmospheres contaminated by chlorine, fluorine, or other damaging chemicals.
  - b) The fireplace has been subjected to prolonged periods of dampness or condensation
  - c) Any damages to the fireplace, combustion chamber, heat exchanger or other components due to water, or weather damage, which is the result of but not limited to, improper chimney/venting installation.
  - d) Any alteration, willful abuse, accident, or misuse of the product has occurred.

### IF WARRANTY SERVICE IS NEEDED...

- 1) Contact your supplier. Make sure you have your warranty, your sales receipt, and the model/serial number of your CFM Corporation product.
- 2) DO NOT ATTEMPT TO DO ANY SERVICE WORK YOURSELF.



Canada

# ENERGUIDE

Look for the **EnerGuide**  
Gas Fireplace Energy  
Efficiency Rating in this brochure

*Based on CSA P.4.1-02*

## Efficiency Ratings

Model	EnerGuide Ratings Fireplace Efficiency (%)
DVT38S2RN	47.1
DVT38S2RP	47.1
DVT38S2EN	48.2
DVT38S2EP	48.2

NATIONAL  
FIREPLACE  
INSTITUTE



CERTIFIED  
[www.nficertified.org](http://www.nficertified.org)

We recommend that our gas hearth products be installed and serviced by professionals who are certified in the U.S. by the National Fireplace Institute® (NFI) as NFI Gas Specialists.

## CFM Corporation

410 Admiral Blvd. • Mississauga, Ontario, Canada L5T 2N6  
800-668-5323 • [www.cfmcorp.com](http://www.cfmcorp.com)